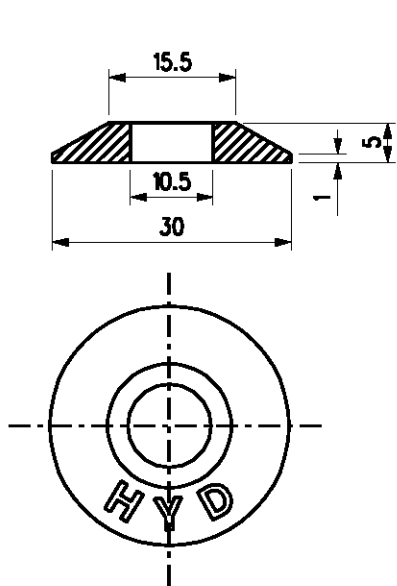


TYPE 'A' S.S. WASHER
(Used With Survey Nail 7.5(d)x15(D)x50(L))

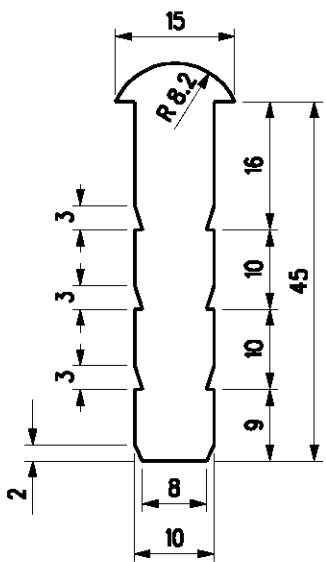
TYPE 'B' S.S. WASHER
(Used With Survey Nail 4(d)x9(D)x40(L))

TYPICAL SURVEY NAIL

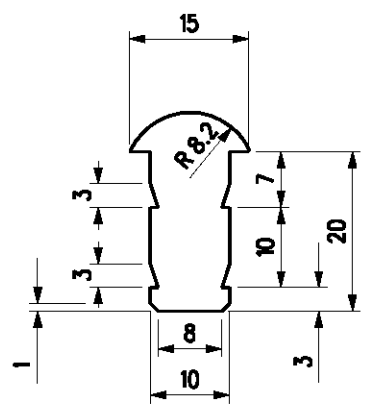
FOR HORIZONTAL CONTROL



TYPE 'C' S.S. WASHER
(Used With Type 'A' or 'B' Stainless Steel Pin)



TYPE 'A' S.S. PIN



TYPE 'B' S.S. PIN

FOR VERTICAL CONTROL

Notes :

1. These survey markers are only for uses, with guidelines, by HyD engineering survey staff.
2. All dimensions are in mm.
3. All stainless steel material denoted by 'S.S.' to be grade 304.
4. All English lettering to be acid etched on stainless steel with red color paint back-filling.
5. Type 'A' stainless steel pin should normally be used with type 'C' stainless steel washer. Type 'B' stainless steel pin could be used when ground conditions prohibit the use of type 'A' pin.

A	General revision	Nov 95
	Former Drg. No. H6009A	June 94
REF.	REVISION	SIGNATURE DATE

SURVEY MARKERS

HIGHWAYS DEPARTMENT

REFERENCE	DRAWING No.	CAD
SCALE	H 6119A	
Full size		