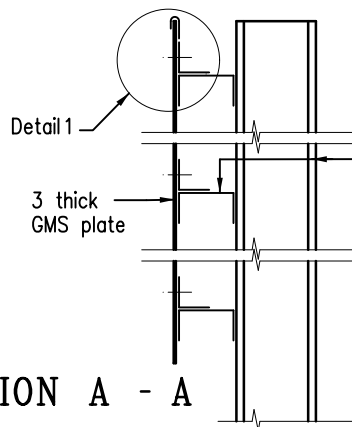


Background painted red

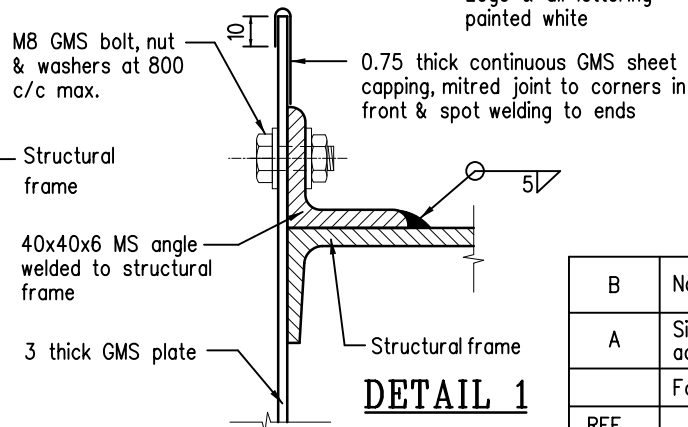
Logo & all lettering painted white

Note :

1. All dimensions are in millimetres.
2. Refer to Drg. No. H6108 for dimensions L, a, b, H, t and u.
3. All GMS panel plates, capping sheets shall be painted with system H stated in G.S. (2020) Table 24.9.
4. The fixing details have been designed for wind load of normal exposed urban condition.
5. Refer to the latest version of Drg. No. H6101 for details of the Departmental Logo.



SECTION A - A



DETAIL 1

(See Drg. No. 6108)

u
t
u
t

NAME SIGNBOARD

All lettering to be black on yellow background, in both English and Chinese

3 thick GMS plate fixed to steelangle with M8 GMS bolts, nuts and washers at 800 c/c max. Steelangle to be welded on structural frame

B	Note 3 revised and Note 5 added	Original signed	Jun 21
A	Signboard material revised according to WBTC 19/99		Dec 99
	Former Drg. No. H6006/4		Jun 94
REF.	REVISION	SIGNATURE	DATE

MINOR PROJECT SIGNBOARD (SHEET 2 OF 2)

HIGHWAYS DEPARTMENT

REFERENCE

DRAWING No.

CAD

SCALE

Diagrammatic

H 6109B