
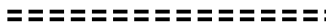














**LEGEND : -**




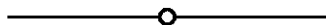

**DUCTS**

Existing	
Proposed	
Utility to be indicated by letters as follows : -	
Area Traffic Control	ATC
Electricity	E
E & M	EM
Telephone	T

**AREA TRAFFIC CONTROL**

Existing		Draw Pit	
Proposed			
Existing		Controller / Detector station	
Proposed			
Existing		Detector	
Proposed			
Existing		CCTV Mast	
Proposed			
Existing		CCTV Kiosk	
Proposed			
Existing		Traffic signal pole	
Proposed			

**DRAINAGE**

Existing		Sewer	
Proposed			
Existing		Stormwater drain	
Proposed			
Size of pipe to be indicated between manholes			 600mm

**ELECTRICITY**

Existing		H. T. Cable	
Proposed			
Existing		L. T. Cable	
Proposed			
Voltage carried to be indicated at intervals			 132KV

	Former drg. No. H6004/1		June 94
REF.	REVISION	SIGNATURE	DATE

**UTILITIES SYMBOLS  
( SHEET 1 OF 2 )**

**HIGHWAYS DEPARTMENT**

REFERENCE	DRAWING No.	CAD
SCALE	H 6104	