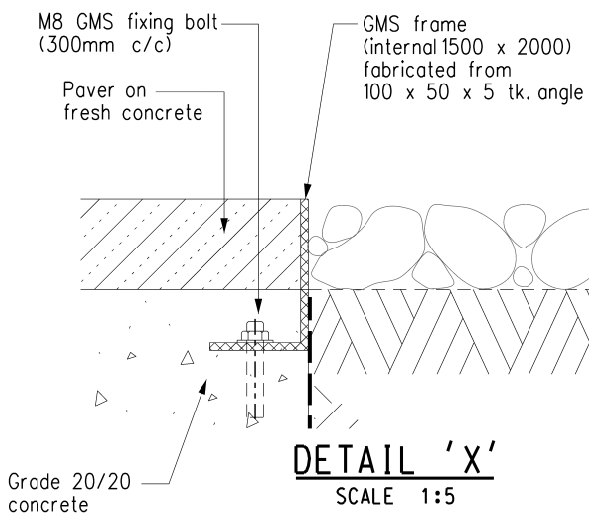


SECTION A-A TREE PIT (WITHOUT EXISTING RAILING)

Notes:

1. All dimensions are in millimetres.
2. Tree pit planting is only considered as a last resort.
3. In new development area, sufficient space should be designated for the tree planting and tree pit is not applicable for use. Kerb planter (Drawing No. H5146) should be used for roadside tree planting.
4. For re-development area, tree pits should be enlarged and joined together to form a kerb planter wherever practicable. Drawing No. H5146 should be followed.
5. Tree guard to be installed where applicable and prior agreement should be sought from tree management department. Tree guard can be replaced by stakes if applicable. Tree guard/stakes to be removed when tree is well-established.
6. Tree species with aggressive root system and/or large root flare and/or large root buttress shall not be planted in tree pit except adequate space is available. Girdling and other defective roots shall be removed before planting.
7. Minimum soil depth for tree planting should be referred to prevailing technical circulars and guidelines promulgated by DEVB.
8. Sub-soil drainage should be duly considered and liaison with the relevant maintenance department should be taken during planning and construction stages as appropriate.
9. Reference should be made to DEVB's proper planting practices and relevant planting guidelines.



DETAIL 'X'
SCALE 1:5

	New Issue supersedes H5141	Original signed	Nov 20
REF.	REVISION	SIGNATURE	DATE

**TREE PIT PLANTER
(SHEET 2 OF 2)**

HIGHWAYS DEPARTMENT

REFERENCE	DRAWING No.	CAD
SCALE	H 5145	
	1:20 or As Shown	