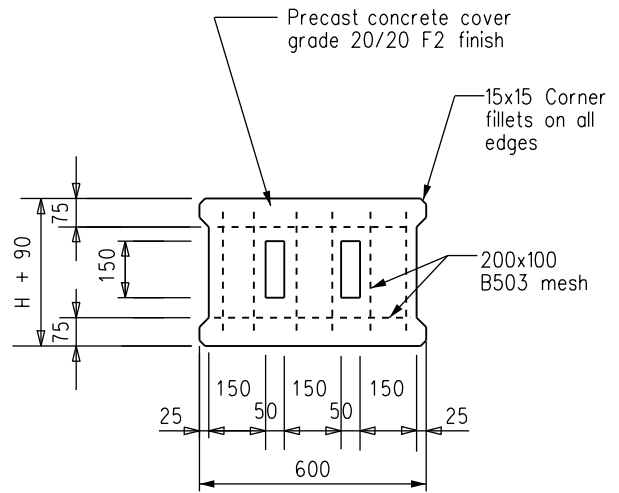


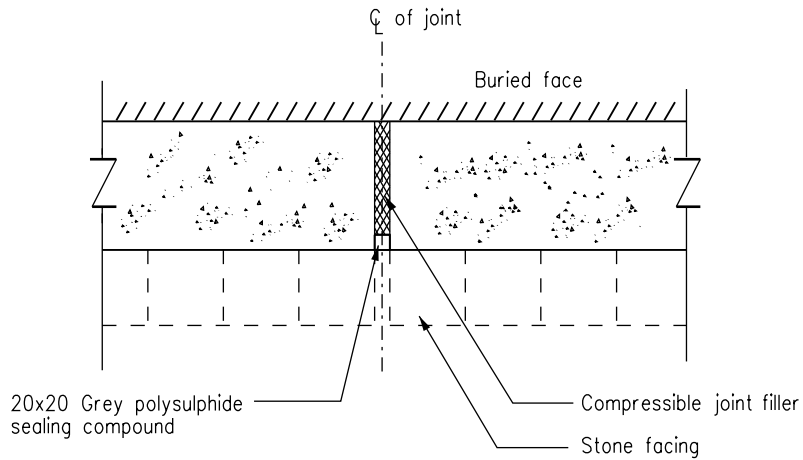
SECTION



PLAN

U-CHANNEL WITH PRECAST CONCRETE COVER

Scale 1 : 20



MOVEMENT / EXPANSION JOINT DETAILS

N.T.S.

Note :

1. All dimensions are in millimetres, unless otherwise stated.

	New issue supersedes H5111	Original signed	Aug 17
REF.	REVISION	SIGNATURE	DATE

TOE WALL PLANTER -
SHOTCRETED SLOPE
(SHEET 2 OF 2)

HIGHWAYS DEPARTMENT

REFERENCE

DRAWING No.

CAD

SCALE

As Shown

H 5143