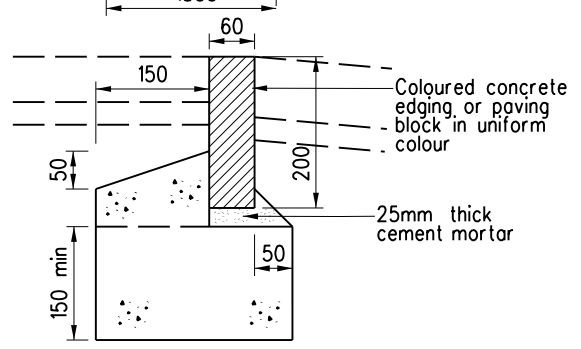
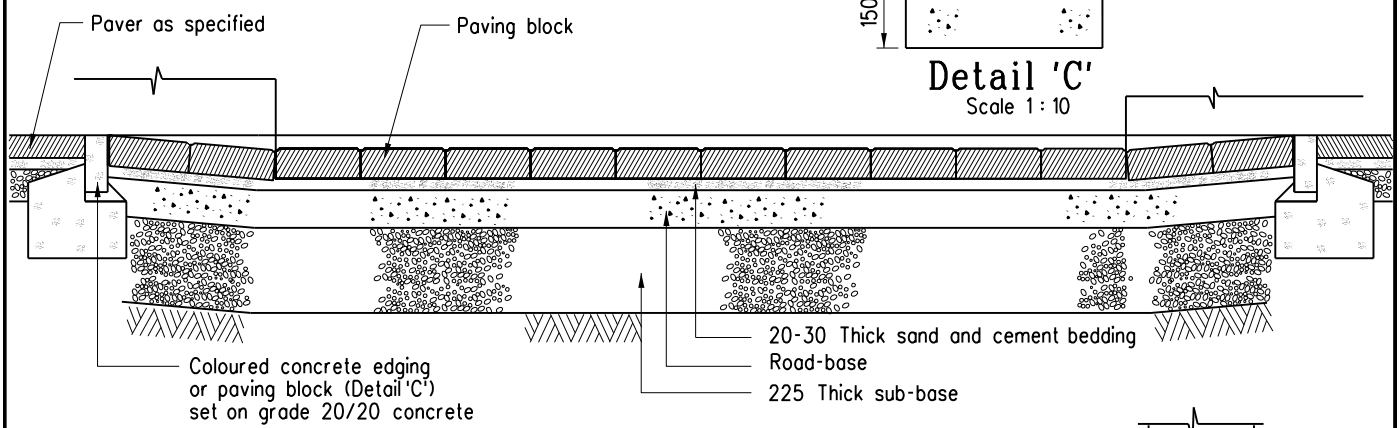


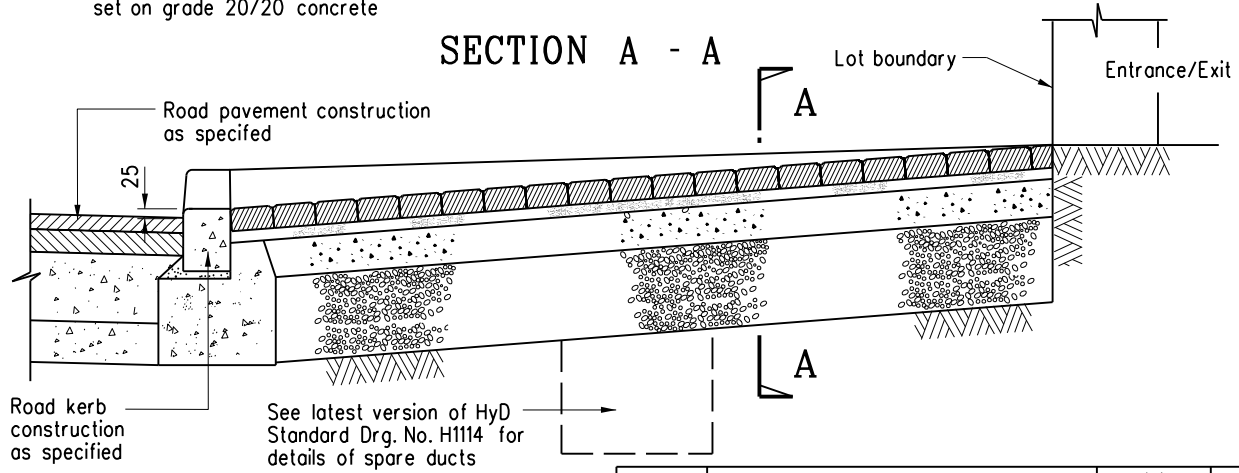
PLAN
N.T.S.



Detail 'C'
Scale 1:10



SECTION A - A



SECTION B - B

Notes:
1. Notes refer to latest version of HyD Standard Drawing No. H 5135.

REF.	REVISION	SIGNATURE	DATE
B	General revision	Original signed	Oct 19
A	Title and size of concrete edging revised	-	Oct 14
	Former drg. no. H5115B with paving block, road-base and notes revised	-	Mar 10

**PAVING UNITS -
RUN-IN DETAILS
(SHEET 1 OF 3)**

HIGHWAYS DEPARTMENT

REFERENCE	DRAWING No.	CAD
SCALE 1 : 20 or As Shown	H 5133B	