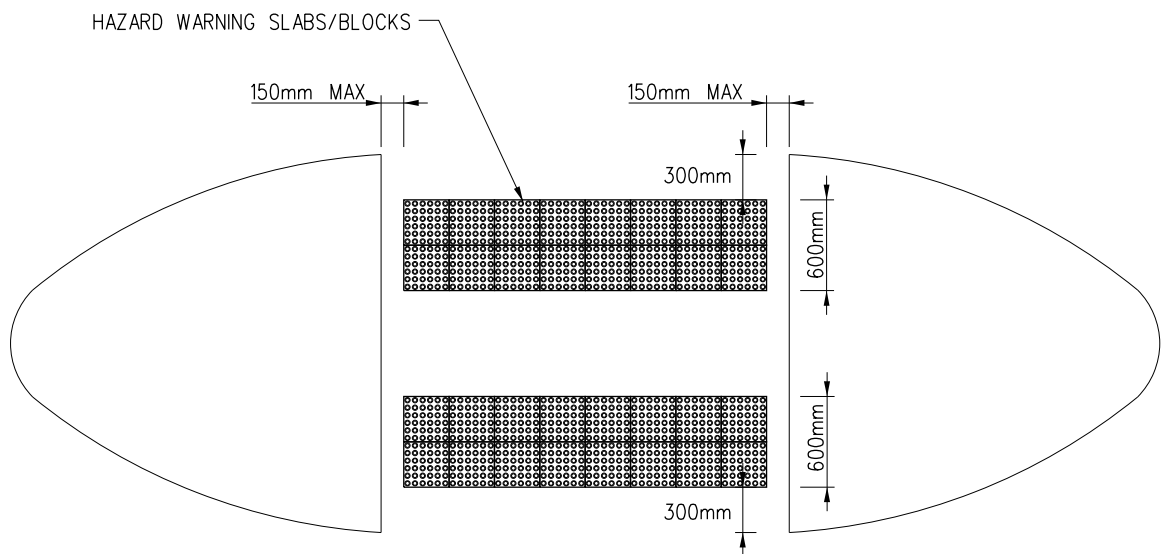


TACTILE WARNING STRIPS AT CENTRAL REFUGE (DEPTH < 1.80m)



TACTILE WARNING STRIPS AT CENTRAL REFUGE (DEPTH ≥ 1.80m)

A	General Revision	Original signed	Dec 16
	Diagram refer to Vol. 6 chapter 8 of T.P.D.M.	-	Sep. 01
REF.	REVISION	SIGNATURE	DATE

TACTILE WARNING STRIPS AT CENTRAL REFUGE

HIGHWAYS DEPARTMENT

REFERENCE	DRAWING No.	CAD
SCALE Diagrammatic	H 5122A	