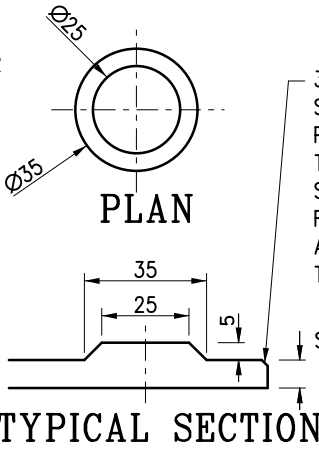


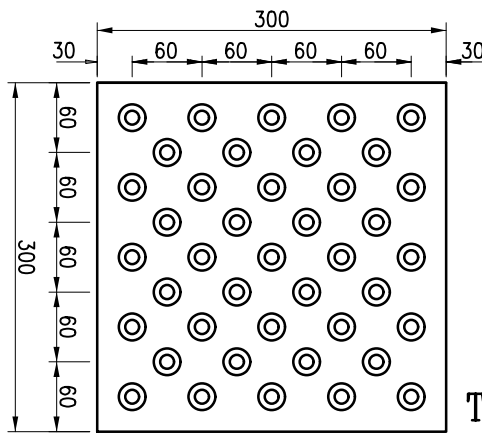
**HAZARD WARNING TILE / SLAB**



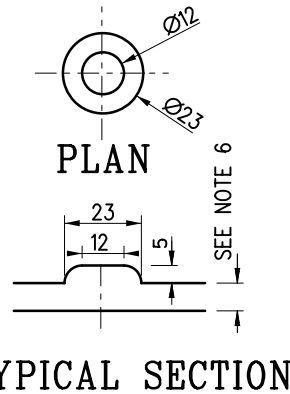
**HAZARD WARNING BLOCK**

3mm CHAMFER SHOULD BE PROVIDED FOR TILE / SLAB ONLY. SIMILAR DETAILS FOR POSITIONAL AND DIRECTIONAL TILE / SLAB.

SEE NOTE 6



**POSITIONAL TILE / SLAB / BLOCK**



SEE NOTE 6

3. For proprietary products having patterns and dimensions slightly deviating from those shown, approval should be sought for using such products from the Road Safety and Standards Division of the Transport Department.

4. Tactile pavers shall be made of durable and non-slippery materials. They shall be precast concrete tactile pavers. Tactile pavers of other materials, shall not be used unless the suppliers can provide evidence to substantiate satisfactory long term performance of their products after wear and tear, and shall be approved by and to the satisfaction of the Engineer.

5. Precast concrete tactile pavers shall comply with Appendix B6 of RD/GN/044 for concrete tactile pavers, or as specified by the Engineer.

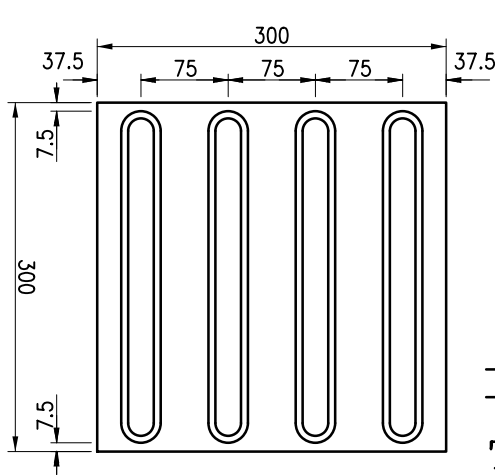
6. The thickness of tactile tiles, slabs and blocks shall be the following, or as approved by the Engineer:

	Thickness (mm)
Tactile tile	15
Tactile slab	60
Tactile block	60

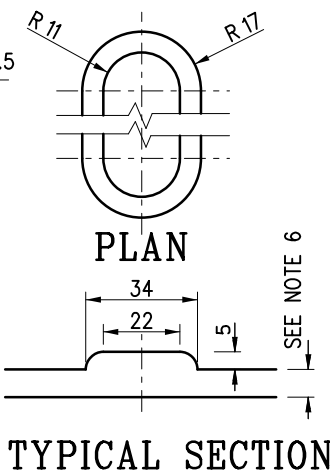
7. The colour / tone of the tactile pavers should contrast visually with the adjoining surfaces (e.g. yellow tactile pavers on grey / red footway, light-on-dark, dark-on-light, etc.) to provide clear indication of the routes to people with low vision.

8. Slip resistance value shall be determined by Wet Pendulum Test using slider 55 in accordance with AS 4586.

Gradient of footways	Minimum slip resistance value measured by Wet Pendulum Test
=<3%	45
>3% and =<7%	50
>7% and =<12%	55
>12%	60



**DIRECTIONAL TILE / SLAB / BLOCK**



SEE NOTE 6

Note:

1. All dimensions are in millimetres.

2. The drawing illustrates the typical dimensions for tactile paving tiles / slabs only. Other dimensions of paving blocks with size 100 x 200mm or equivalent approved by the Engineer could also be used provided the tactile patterns and spacing of tactile dots and strips so formed are similar to those shown.

REF.	REVISION	SIGNATURE	DATE
E	Note 8 updated	Original signed	May 21
D	Note 2, 4 to 8 updated and Note 9 deleted		Nov 19
C	Note 7 revised. Notes 8 and 9 added		Apr 10
B	Note 7 revised. Notes 8 and 9 added		Nov 03
A	Add note 2 to 7		Apr 02
	Diagram refer to Vol.6 chapter 8 of T.P.D.M.		Sep 01

**TACTILE PAVERS:  
TACTILE TILES /  
SLABS / BLOCKS**

**HIGHWAYS DEPARTMENT**

REFERENCE

DRAWING No.

CAD

SCALE

Diagrammatic

**H 5118E**