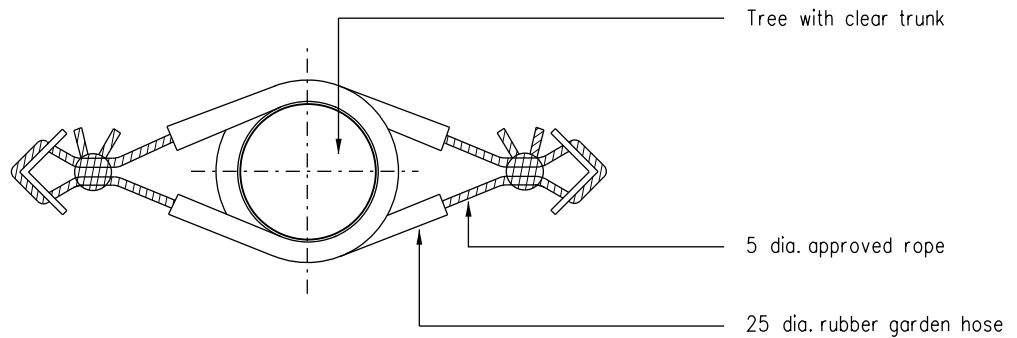


ELEVATION



PLAN

Notes :

1. All dimensions are in millimetres.
2. Tree fixed with approved ties and spacers. Ties to be adjusted annually as necessary to accommodate new growth.
3. Tree tie & stakes to be removed after the tree is well established.
4. Top of M.S. angle iron stakes to be wrapped with protective cushion or as appropriate.

A	General Revision	Original signed	Aug 17
	New Issue	-	May 97
REF.	REVISION	SIGNATURE	DATE

TREE TIE

HIGHWAYS DEPARTMENT

REFERENCE

DRAWING No.

CAD

SCALE

1 : 5

H 5117A