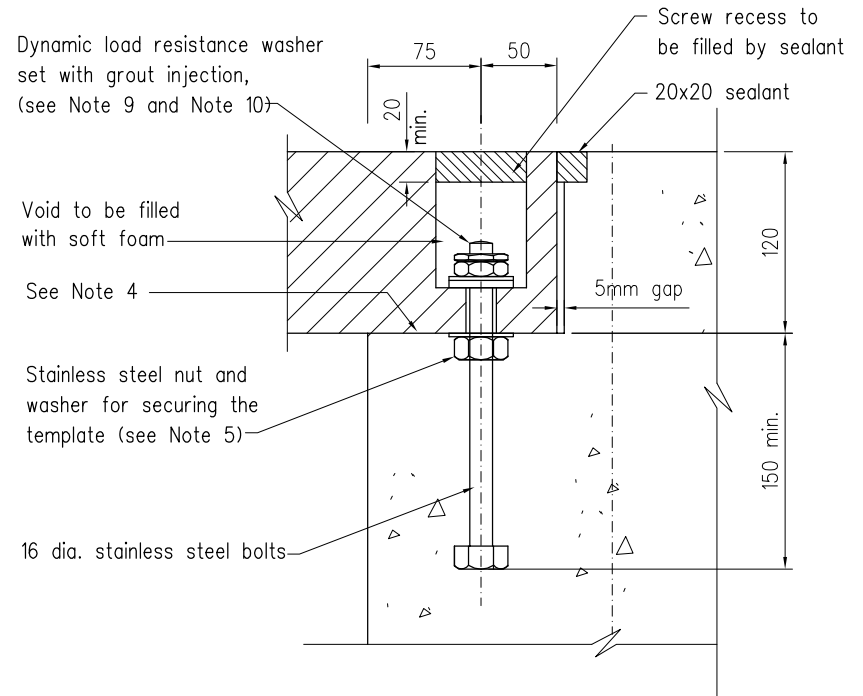


SECTION B-B
SCALE 1:10



DETAIL X
SCALE 1:5

TYPICAL DETAILS OF TRANSVERSE DRAIN
(SHEET 2 OF 3)

	New issue	-	Jul 23
REF.	REVISION	SIGNATURE	DATE
HIGHWAYS DEPARTMENT			
REFERENCE	DRAWING No.	CAD	
SCALE	AS SHOWN	H 3160	