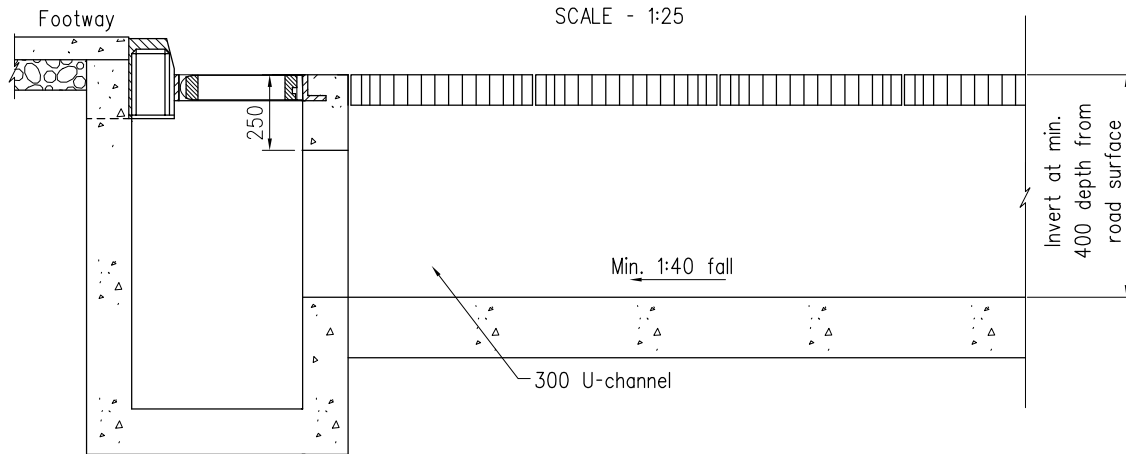
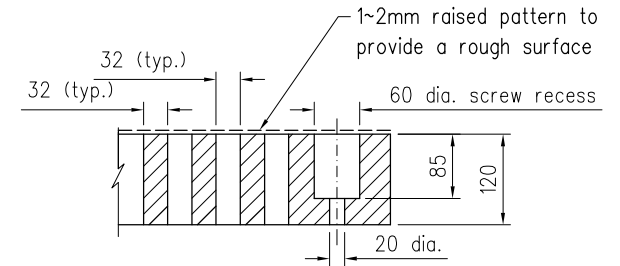


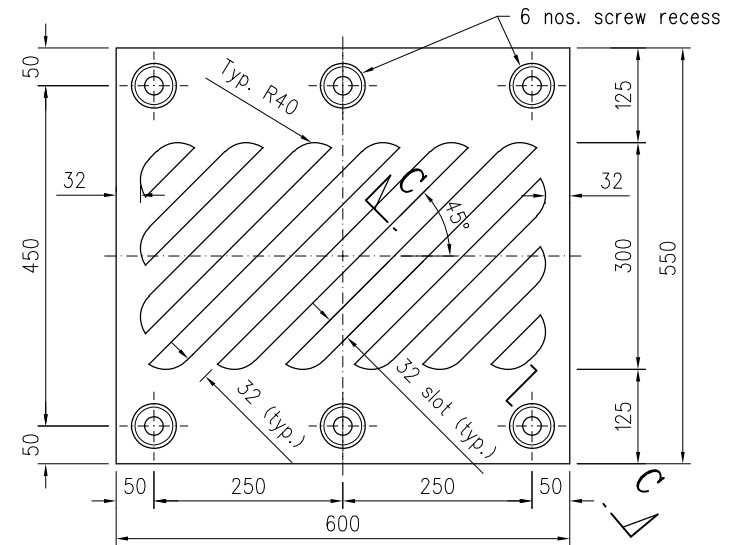
**PLAN**  
SCALE - 1:25



**SECTION A-A**  
SCALE - 1:25



**SECTION C-C**  
SCALE - 1:10



**DETAILS OF COMPOUND MATERIAL GRATING**  
SCALE - 1:10

	New issue	-	Jul 23
REF.	REVISION	SIGNATURE	DATE

**HIGHWAYS DEPARTMENT**

REFERENCE	DRAWING No.	CAD
-----------	-------------	-----

SCALE AS SHOWN **H 3159**

**TYPICAL DETAILS OF TRANSVERSE DRAIN  
(SHEET 1 OF 3)**