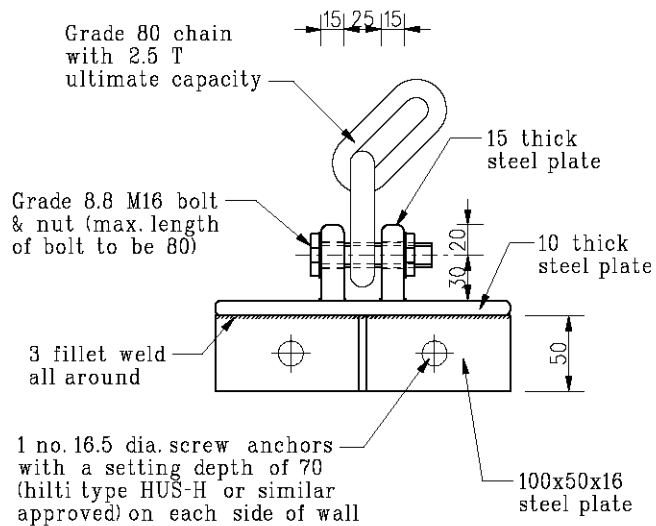
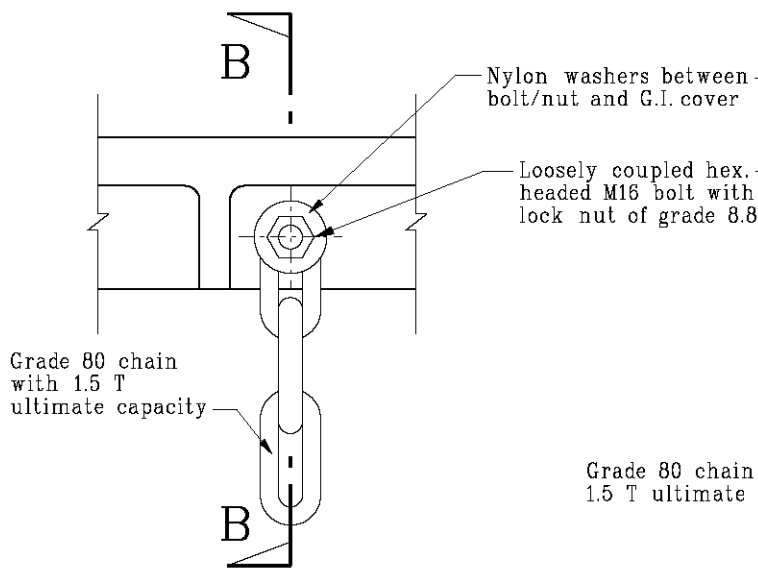


**PLAN**

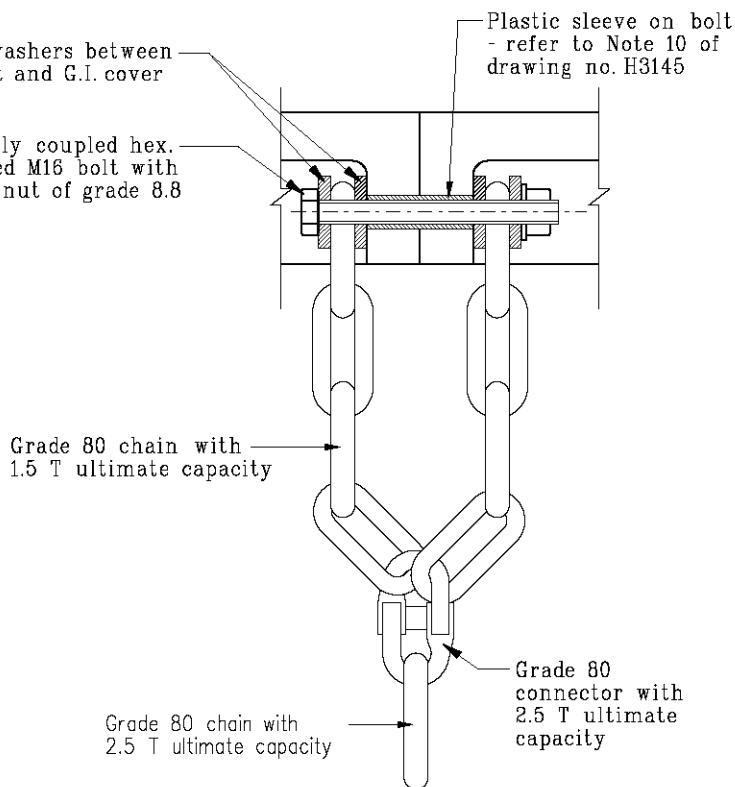
**CHAIN ANCHOR  
(ON MANHOLE WALL)**



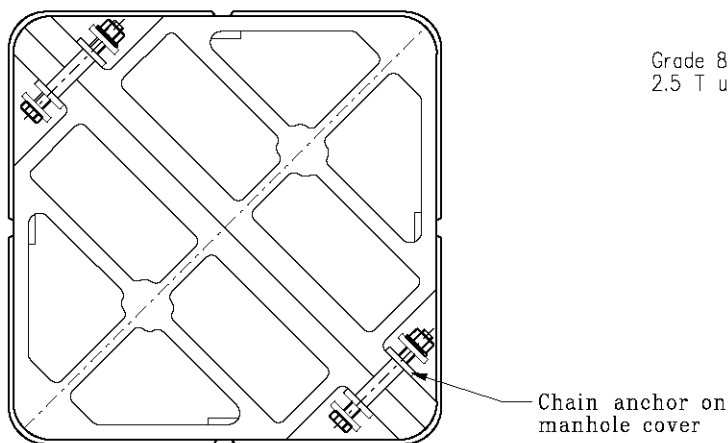
**DEVELOPED ELEVATION**



**CHAIN ANCHOR  
(ON MANHOLE COVER)**



**SECTION B - B**



**BOTTOM PLAN OF COVER  
SCALE 1 : 10**

	New Issue		Jan 09
REF.	REVISION	SIGNATURE	DATE

**COVER RESTRAINT FOR  
DRAINAGE MANHOLES  
(SHEET 2 OF 2)**

<b>HIGHWAYS DEPARTMENT</b>		
REFERENCE	DRAWING No.	CAD
SCALE	<b>H 3146</b>	
	1 : 5 or as shown	