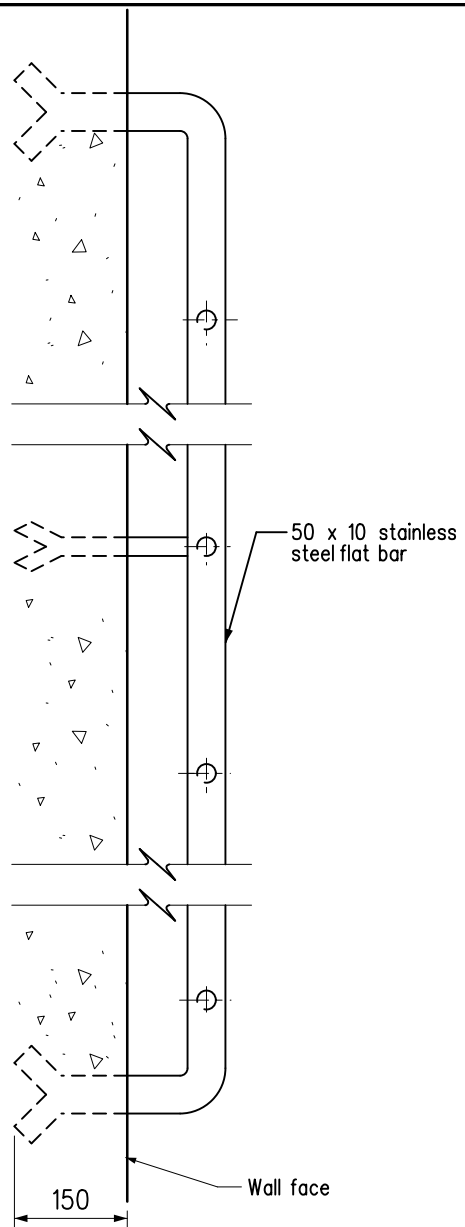
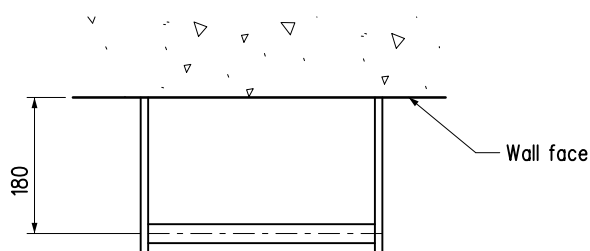


ELEVATION



SECTION D - D



PLAN

ACCESS LADDER

Note :

See H3134B for general notes

B	General revision		Oct 22
A	General revision		Nov 02
	Former drg. no. H3028/6A with general revision		Jun 94
REF.	REVISION	SIGNATURE	DATE

PETROL INTERCEPTOR  
FOR OPEN PUBLIC  
TRANSPORT INTERCHANGE  
(SHEET 6 OF 11)

HIGHWAYS DEPARTMENT

REFERENCE

DRAWING No.

CAD

SCALE

1 : 10

H 3139B