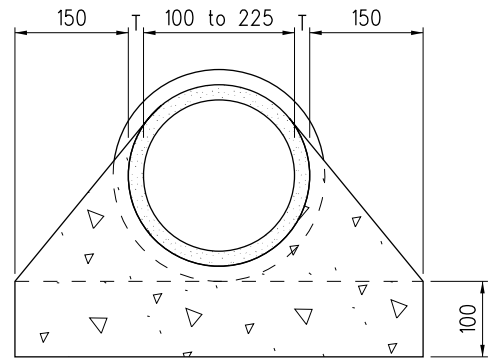
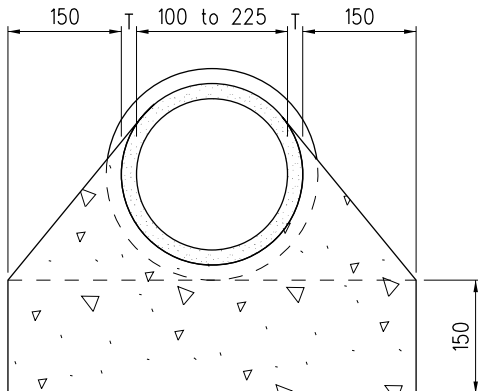


BEDDING

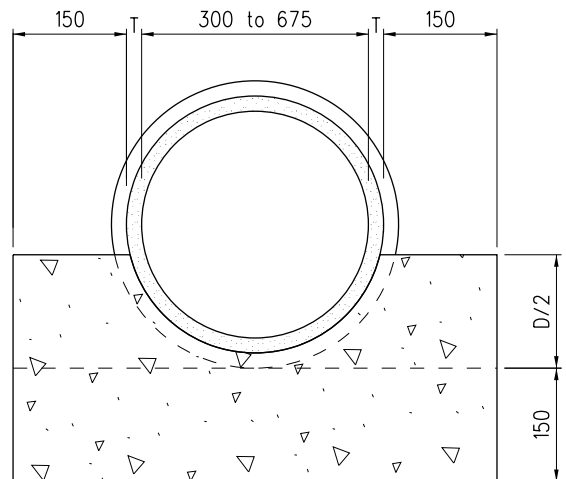


TYPE I HAUNCH



TYPE II HAUNCH

(Where piling is required)



TYPE III HAUNCH

Notes :

1. 20/20 grade concrete to be used.
2. T denotes wall thickness of pipe.

A	Type I, II surround deleted, concrete grade revised	Original signed	Sep 15
	Former Drg. No. H3026	-	June 94
REF.	REVISION	SIGNATURE	DATE

HAUNCH AND SURROUND TO PIPES

HIGHWAYS DEPARTMENT

REFERENCE

DRAWING No.

CAD

SCALE

1 : 10

H 3130A