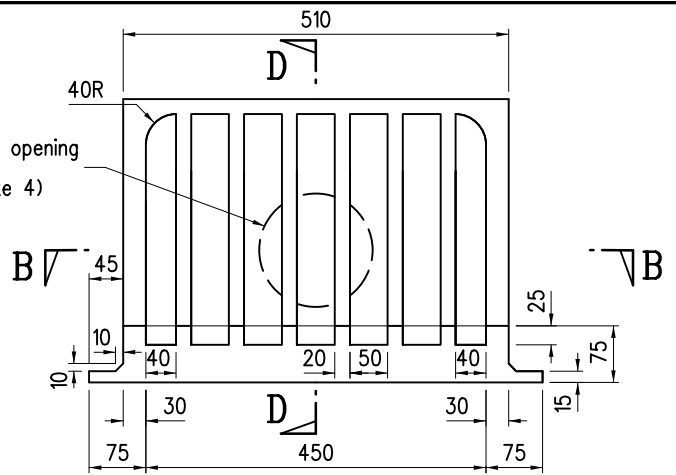
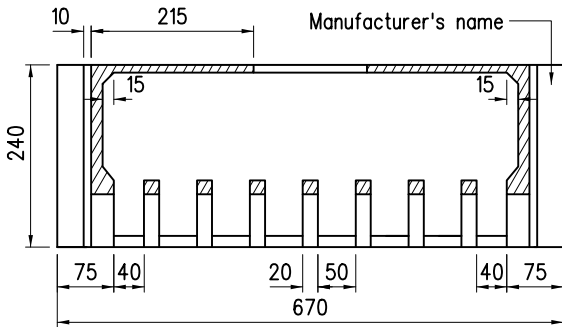


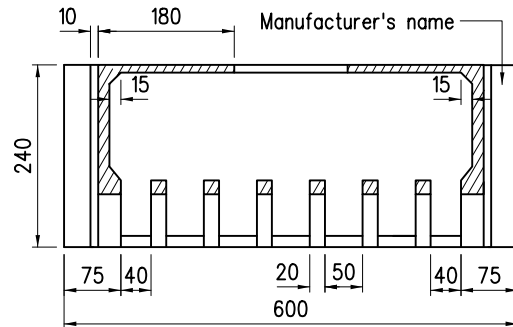
**FRONT ELEVATION  
( TYPE PRS-450V )**



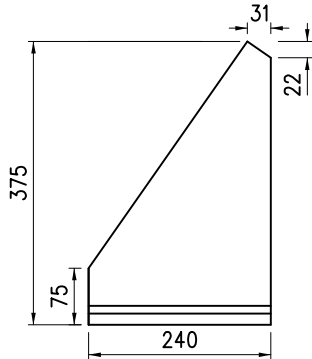
**FRONT ELEVATION  
( TYPE PRS-325V )**



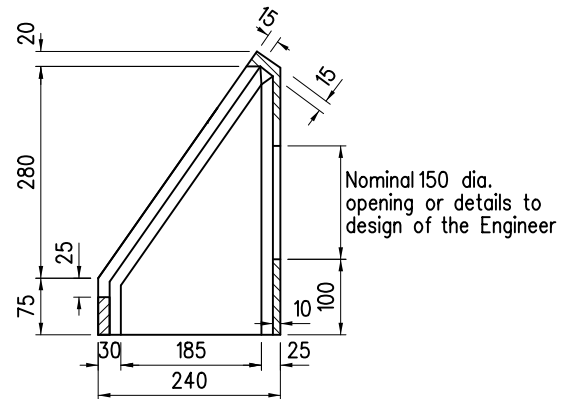
**SECTION A-A**



**SECTION B-B**



**SIDE VIEW  
( TYPE PRS-450V &  
TYPE PRS-325V )**



**SECTION C-C  
( SECTION D-D SIMILAR )**

**Notes :**

1. Dimensions are in millimetres.
2. All corners are to be rounded to approximately 2 mm radius.
3. Material is to be cast iron grade EN-GJL-150 of BS EN 1561.
4. Contingency discharge drain hole may be provided at rear of overflow weir. Shapes other than circular may be adopted for the drain hole subject to design of the Engineer.

A	Note 3 Revised	Original signed	Nov 21
	New issue	-	Sep 15
REF.	REVISION	SIGNATURE	DATE

**KERB OVERFLOW WEIRS  
TYPE PRS-450V AND  
TYPE PRS-325V**

**HIGHWAYS DEPARTMENT**

REFERENCE

DRAWING No.

CAD

SCALE

1 : 10

**H 3128/2A**