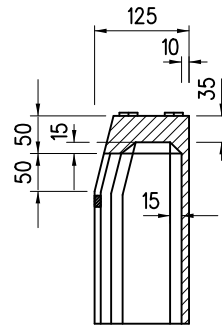
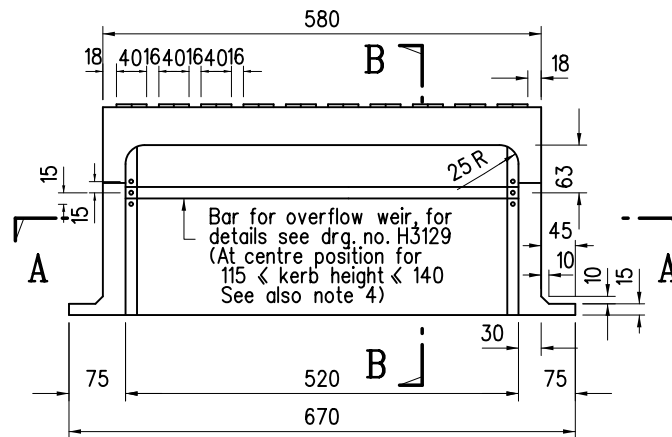


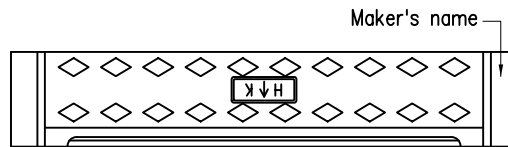
SIDE VIEW



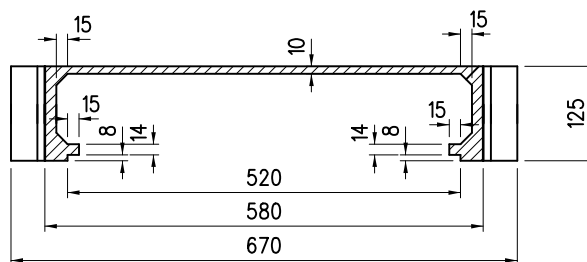
SECTION B-B



FRONT ELEVATION



PLAN



SECTION A-A

Notes :

1. Dimensions are in millimetres.
2. All corners are to be rounded to approximately 2 mm radius.
3. Other than bolts and nuts, material is to be cast iron grade EN-GJL-150 of BS EN 1561.
4. Kerb height < 115 - 1 top bar  
Kerb height > 140 - 2 bars at top & bottoms.

A	Note 3 Revised	Original signed	Nov 21
	Former Drg. No. H3015/3 with general revision	-	Jun 94
REF.	REVISION	SIGNATURE	DATE

KERB OVERFLOW WEIRS  
TYPE K1-450H

HIGHWAYS DEPARTMENT

REFERENCE

DRAWING No.

CAD

SCALE

1 : 10

H 3121A