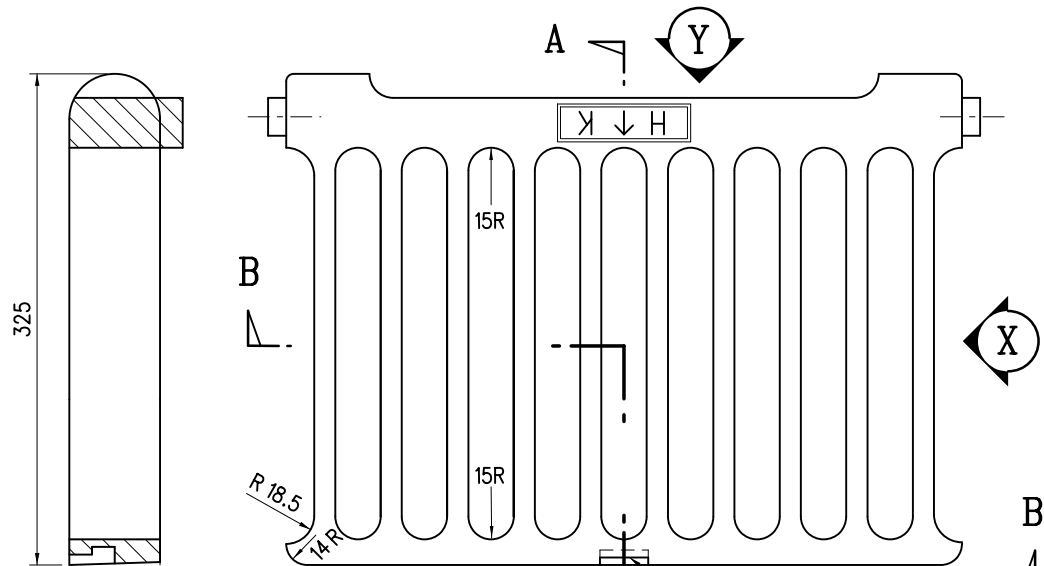


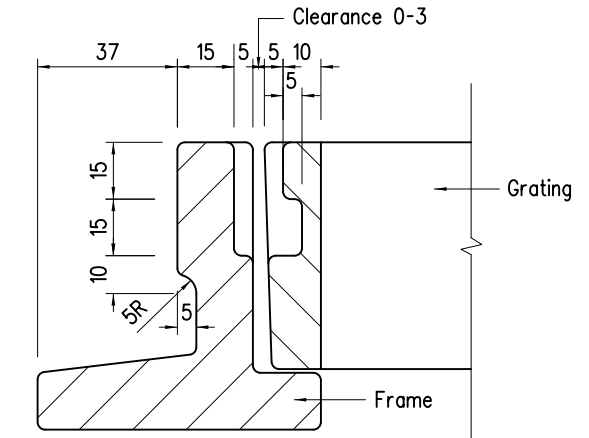
VIEW Y

Notes :

1. Dimensions are in millimetres.
2. All corners are to be rounded to approximately 2 radius.
3. Cast iron for grating is to conform with grade EN-GJL-150 of BS EN 1561.
4. Details of frame are given in standard drawing no. H 3120.

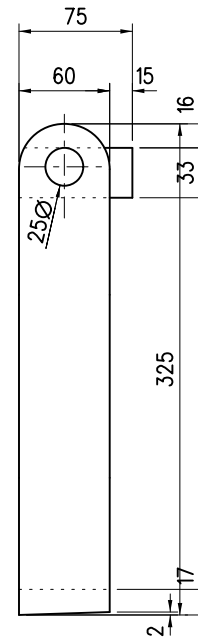


SEC. A-A

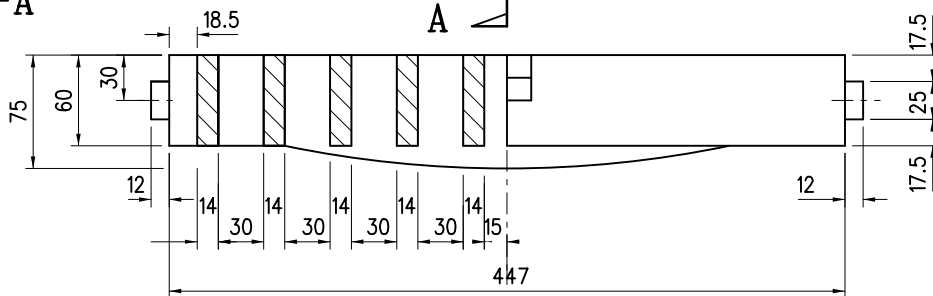


DETAIL OF PRISING SLOT

1 : 2



VIEW X



HALF SECTION B-B

A	Note 3 Revised	Original signed	Nov 21
	Former Drg. no. H3012/1 with general revision	-	Jun 94
REF.	REVISION	SIGNATURE	DATE

GULLY GRATING
TYPE GA2-325
(SHEET 1 OF 2)

HIGHWAYS DEPARTMENT

REFERENCE	H.O. 7/1/6	DRAWING No.	CAD
SCALE	1 : 5 OR AS SHOWN	H 3119A	