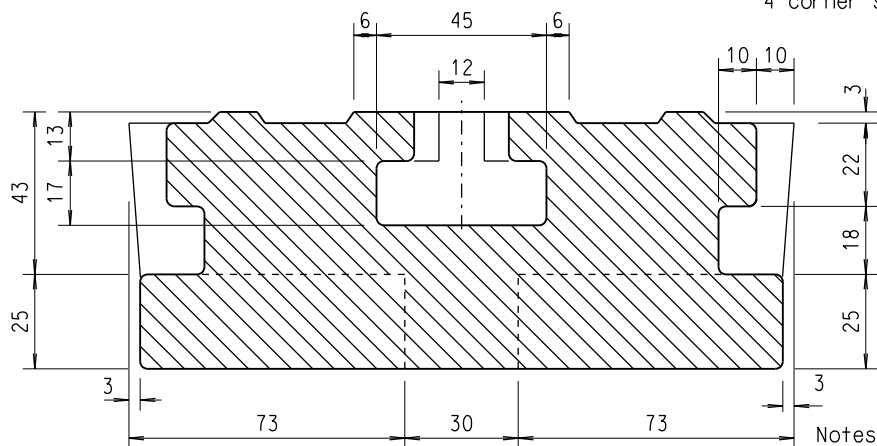


SECTION B-B

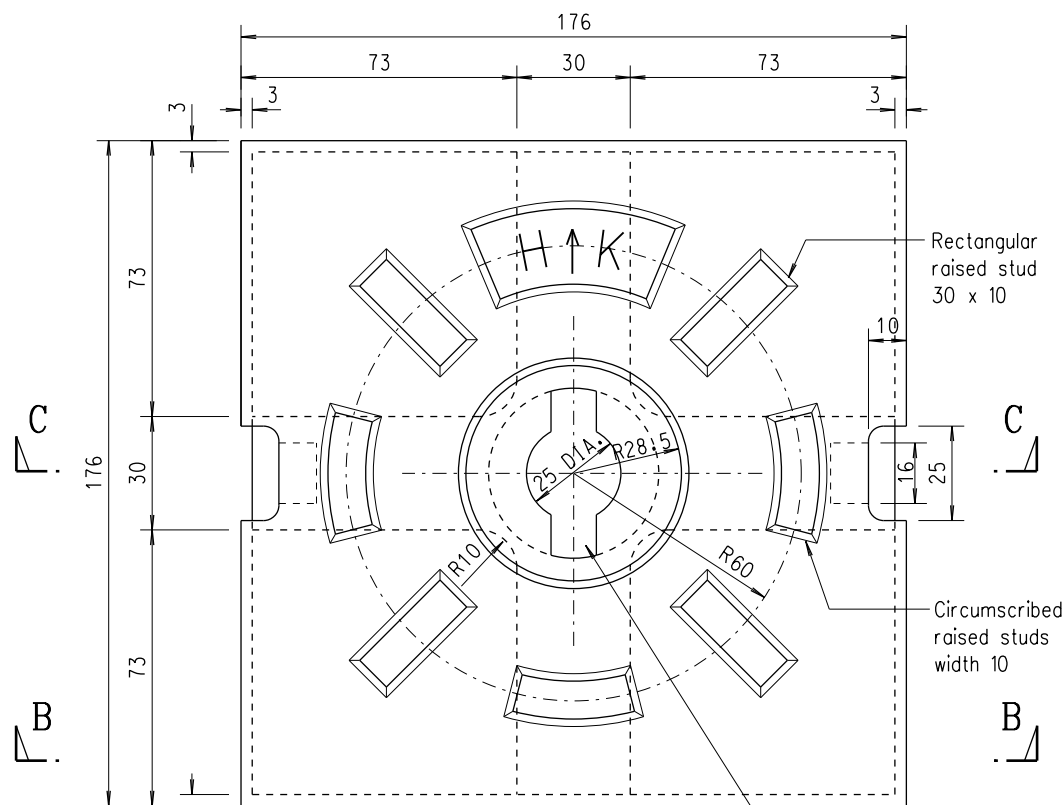
Machined at 4 corner supports



SECTION C-C

Notes:

1. Dimensions are in millimetres.
2. All corners are to be rounded to approximately 2 radius.
3. Cast iron for cover and frame is to conform to grade 150 of BS 1452.
4. Machined where marked "∇" and allowance should be made for machine where applicable.
5. Plastic plugs should be installed on key holes, with relevant details agreed by the Engineer.



PLAN
C. I. COVER

Plastic plug not shown

REF.	REVISION	SIGNATURE	DATE
B	Note 5 added	Original signed	May 16
A	General revisions to follow drg.no. SW085(2) of HyD/Str.	-	Mar 00
	Former drg. no. H3009/2 with general revision	-	June 94

HIGHWAYS DEPARTMENT

RODDING EYE COVER FOR HIGHWAY STRUCTURES
(SHEET 2 OF 2)

REFERENCE	DRAWING No.	CAD
SCALE 1:2	H 3115B	