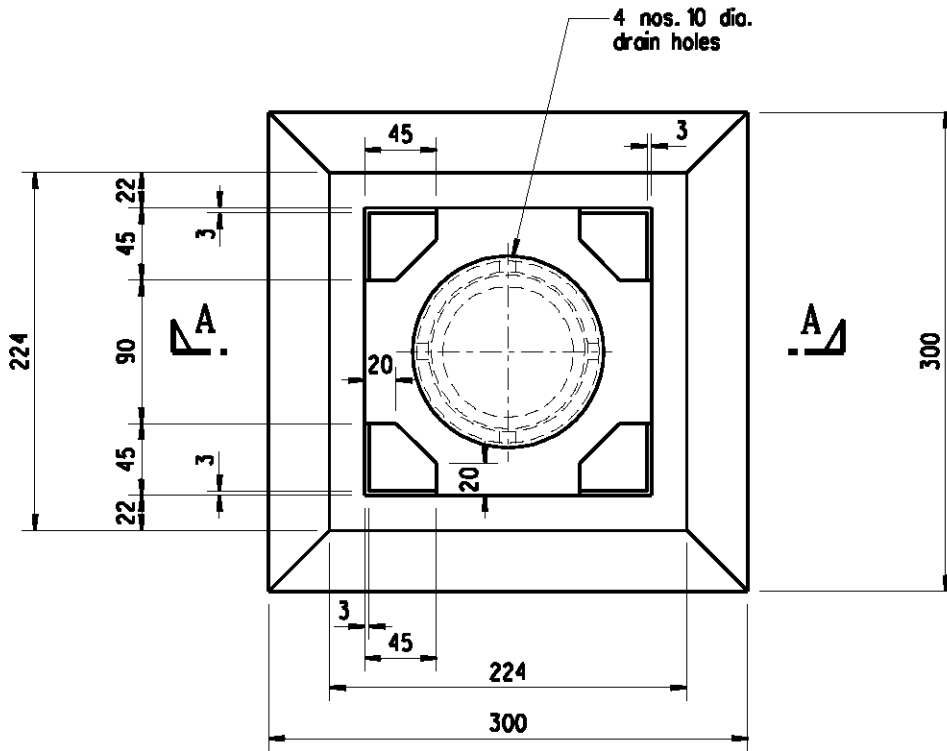


SECTION A - A



PLAN
C. I. FRAME

Notes :

See H3115A for notes

A	General revisions to follow drg.no. SW085(1) of Hyd/Str.		Mar 00
	Former drg. no. H3009/1 with general revision		June 94
REF.	REVISION	SIGNATURE	DATE

RODDING EYE COVER
FOR HIGHWAY
STRUCTURES
(SHEET 1 OF 2)

HIGHWAYS DEPARTMENT

REFERENCE

DRAWING No.

CAD

SCALE

1:5

H 3114A