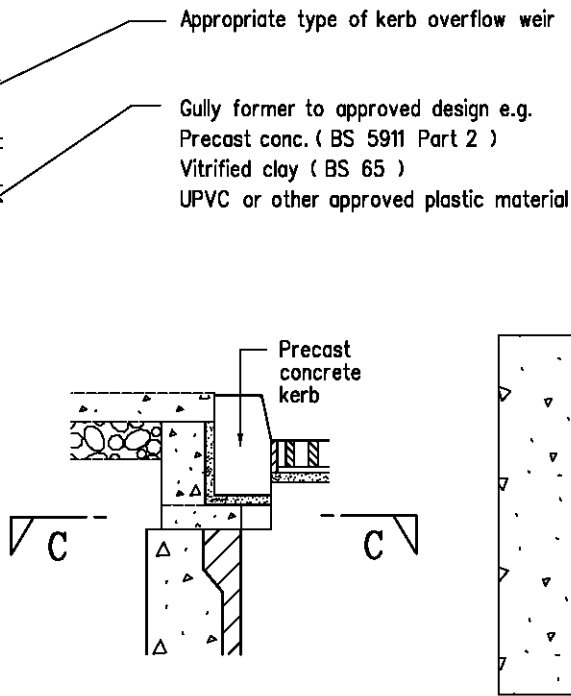


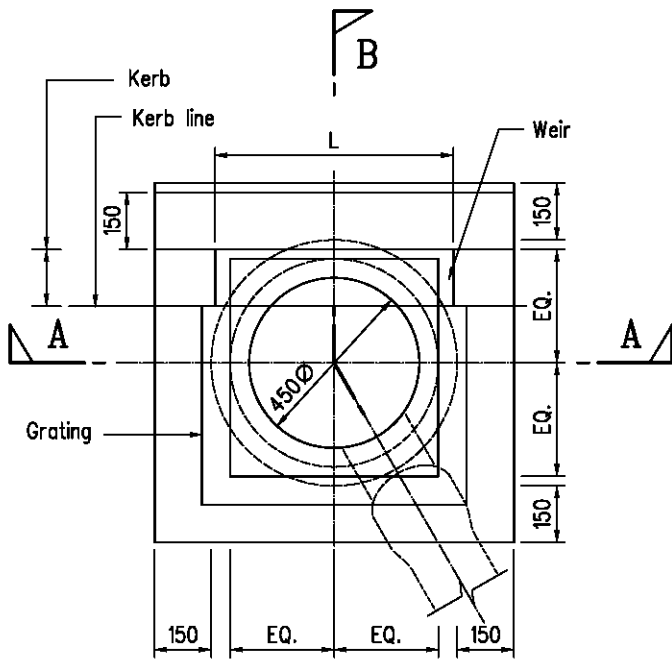
SECTION A-A



DETAIL 'Y'

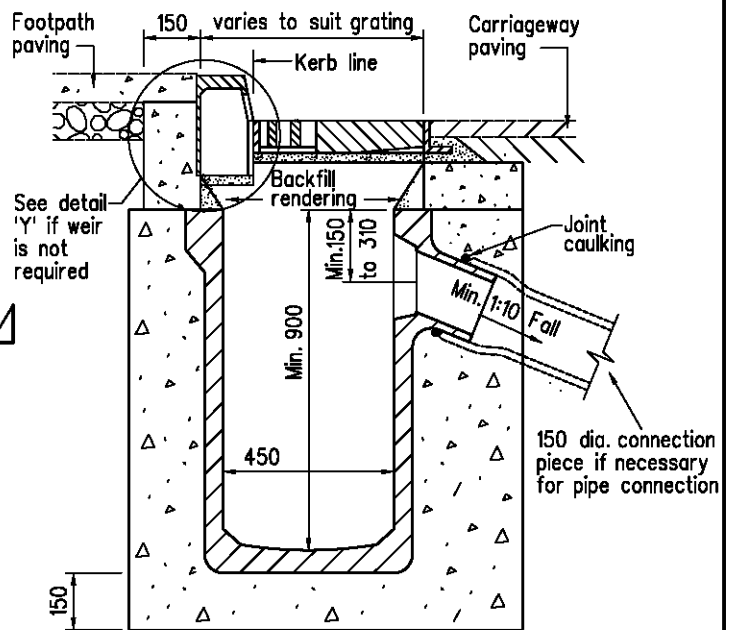
SECTION C-C

(If weir is not required)



PLAN

(Only outlines of weir and grating are shown for clarity)



SECTION B-B

A	Height of gully grating above the gully former clarified		Oct 09
	Former drg. no H3005 with general revision		June 94
REF.	REVISION	SIGNATURE	DATE

UNTRAPPED GULLY WITH GULLY FORMER

HIGHWAYS DEPARTMENT

REFERENCE	DRAWING No.	CAD
SCALE	H 3109A	
1:20		