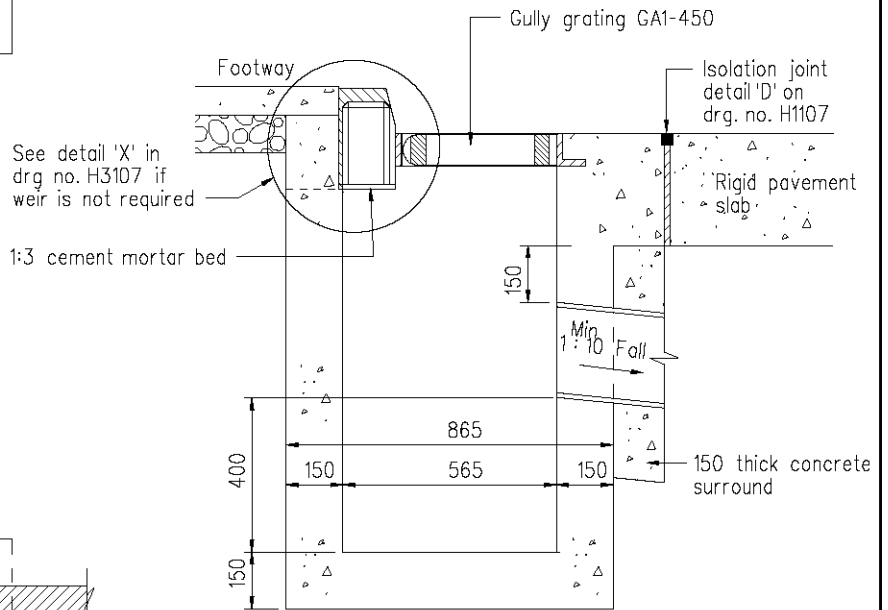
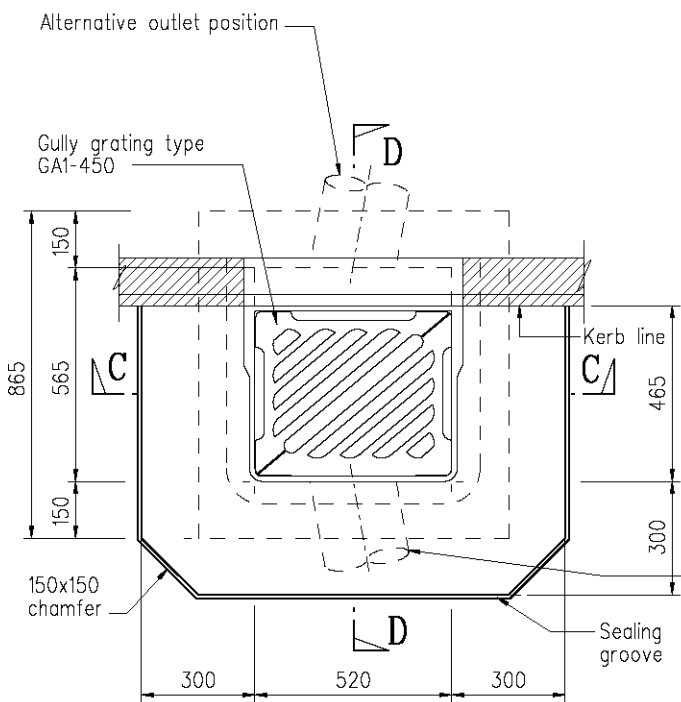


SECTION C - C



SECTION D - D



PLAN

Note :
See drg. no. H3107.

A	Outer inlet slot parallel to traffic deleted		Nov 12
	Former Drg. No. H3004/2 with general revision		June 94
REF.	REVISION	SIGNATURE	DATE

UNTRAPPED IN-SITU GULLY
FOR TYPE GA1-450 GRATING -
RIGID PAVEMENT

HIGHWAYS DEPARTMENT

REFERENCE H.O. 7/1/6

DRAWING No. CAD

SCALE 1 : 20

H 3108A