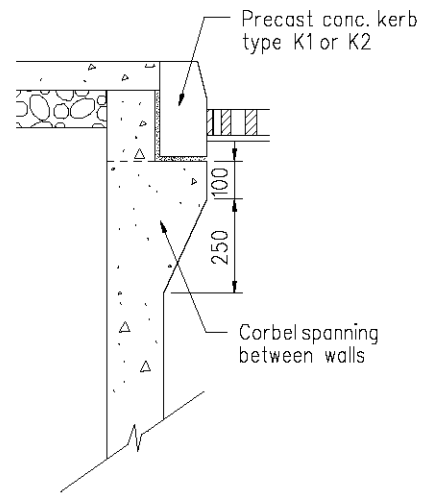
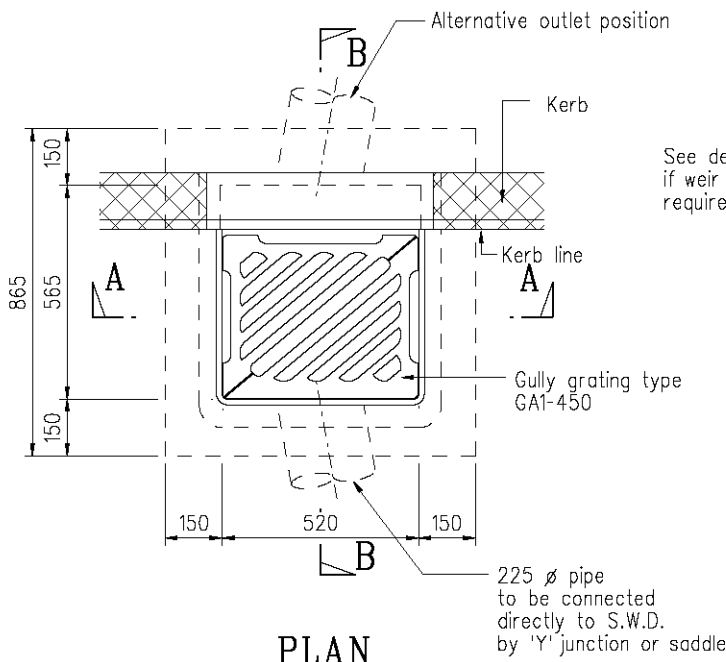


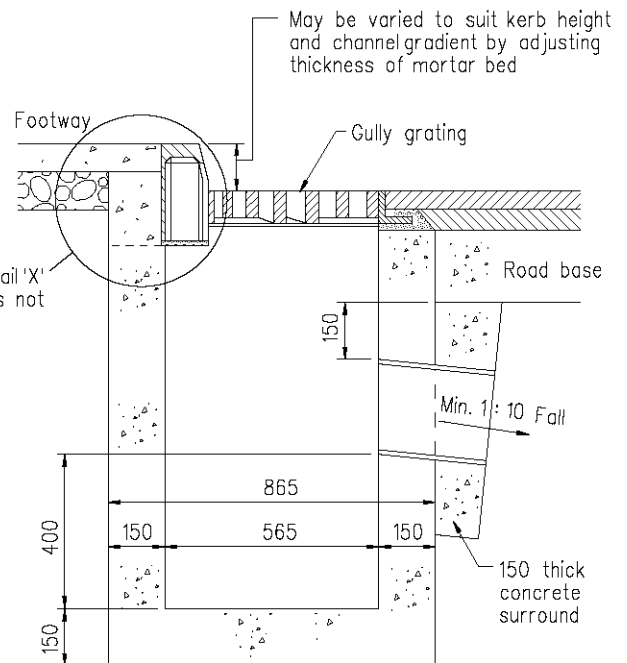
SECTION A - A



Detail 'X'
(If weir is not required)



PLAN



SECTION B - B

Notes :

1. Dimensions are in millimetres.
2. Concrete is to be grade 20/20.
3. See RD/GN/035 on gully pots.

A	Outer inlet slot parallel to traffic deleted		Nov 12
	Former drg. no. H3004/2 with general revision		June 94
REF.	REVISION	SIGNATURE	DATE

**UNTRAPPED IN-SITU GULLY
FOR TYPE GA1-450 GRATING -
FLEXIBLE PAVEMENT**

HIGHWAYS DEPARTMENT

REFERENCE	H.O. 7/1/6	DRAWING No.	CAD
SCALE	1 : 20	H 3107A	