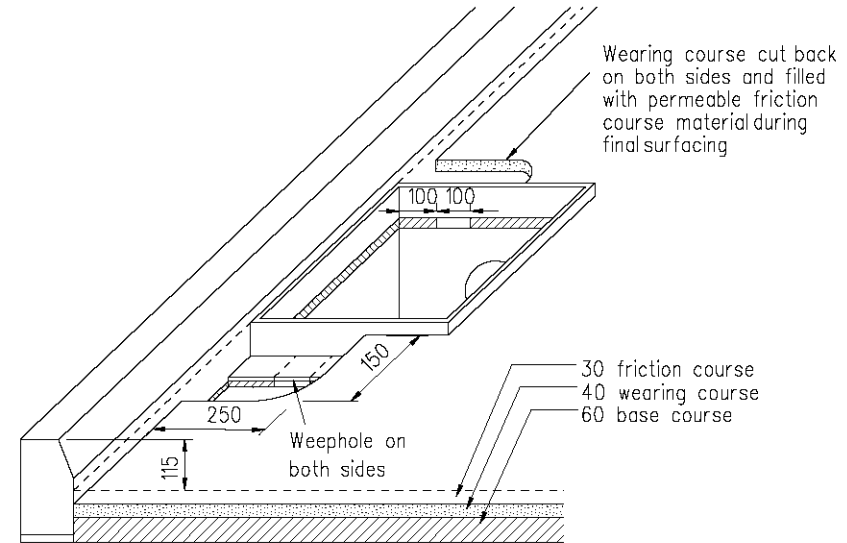


CARRIAGEWAY WITH HARD SHOULDER
EQUAL TO OR WIDER THAN 2500MM



CARRIAGEWAY WITHOUT HARD SHOULDER
OR WIDTH OF HARD SHOULDER IS LESS THAN 2500MM

Notes :

1. Dimensions are in millimetres.
2. Kerb overflow weir may be required but is not shown for clarity.

A	Outer inlet slot parallel to traffic deleted		Nov 12
	Former drg. no. H3003/2 with general revision		June 94
REF.	REVISION	SIGNATURE	DATE

INSTALLATION OF GULLY GRATINGS IN
FLEXIBLE PAVEMENTS WITH FRICTION COURSE

HIGHWAYS DEPARTMENT

REFERENCE	DRAWING No.	CAD
SCALE	H 3106A	
Diagrammatic		