

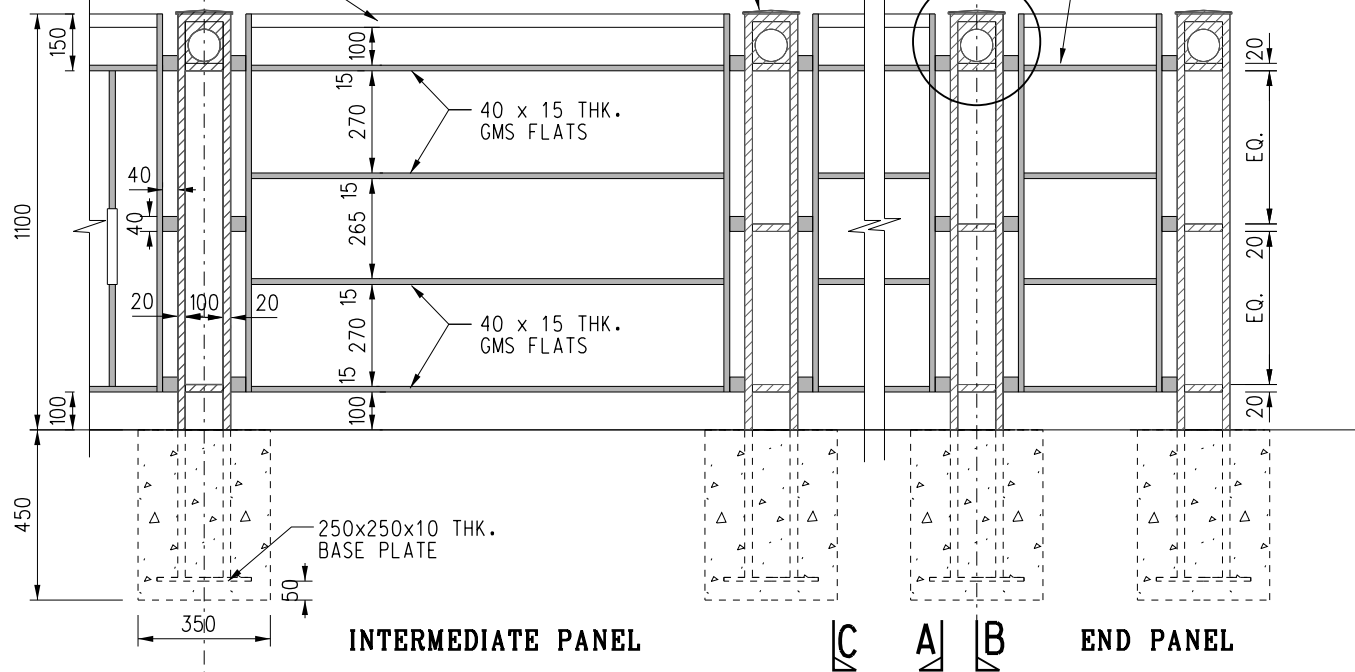
PLAN

35 DIA. x 3 THK.  
S.S. HOLLOW SECTION  
MILL FINISH

POWDERCOAT FINISH  
(COLOR: RAL 1036)

DETAIL 'Y'  
SEE DRAWING  
NO. H2298

POWDERCOAT FINISH  
(COLOR: RAL 9017)

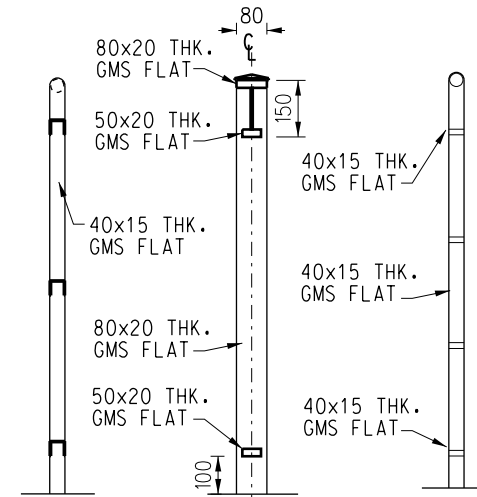


INTERMEDIATE PANEL

END PANEL

SECTIONAL ELEVATION

- NOTES :
1. ALL DIMENSIONS ARE IN MILLIMETRES UNLESS STATED OTHERWISE.
  2. ALL GMS ARE TO BE HOT DIP GALVANIZED. POWDERCOAT FINISH WITH COLOUR AS SPECIFIED SHALL BE APPLIED ON THE GALVANIZED FINISH, EXCEPT THE 25 DIA. GMS ROUND.
  3. WHERE THE CONCRETE FOOTING IS LOCATED IN BLOCK PAVED FOOTPATH, THE FOOTING SHOULD BE LOWERED TO ALLOW FOR THE PAVING BLOCKS AND THE SAND COURSE.
  4. THIS DRAWING SHALL BE READ IN CONJUNCTION WITH DRG. NO. H2298
  5. SEE HYD TC NO. 2/2017 FOR PROVISION AND DESIGN.



SECTION A-A

SECTION B-B

SECTION C-C

	New Issue	Original signed	Apr 18
REF.	REVISION	SIGNATURE	DATE

TYPE 13 RAILING (HIGH VISIBILITY PANEL)  
- FOR CONTROL PURPOSE

HIGHWAYS DEPARTMENT		
REFERENCE	DRAWING No.	CAD
SCALE 1 : 20 OR AS SHOWN	H 2297	