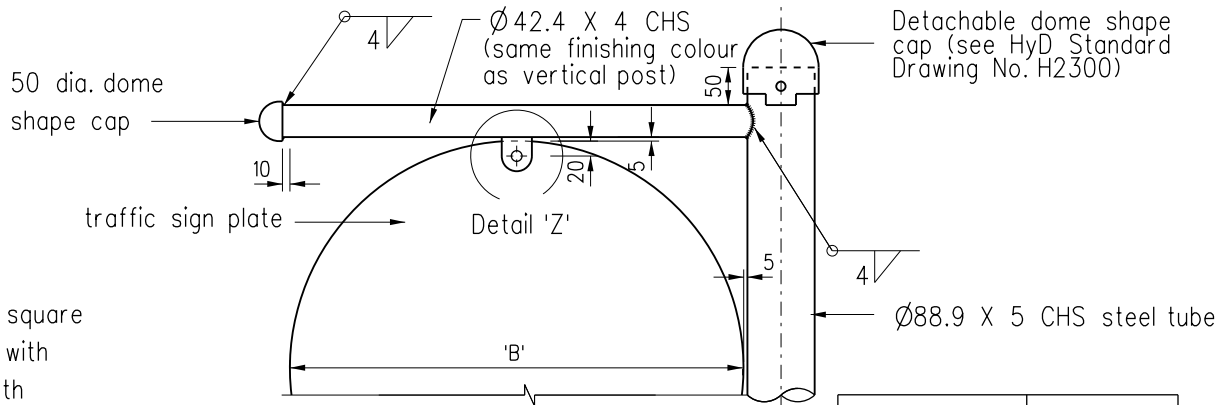


**DETAIL 'X'**

Scale 1:10

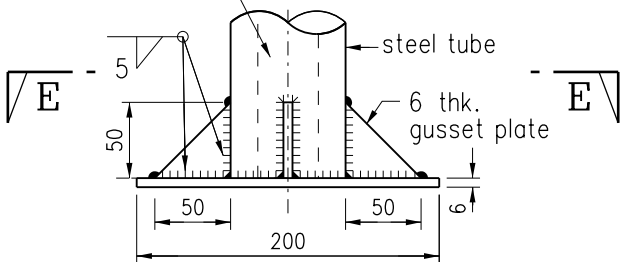


**DETAIL 'Y'**

Scale 1:10

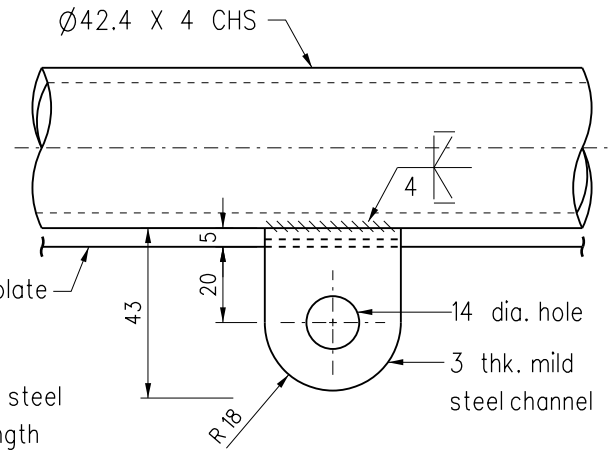
40 solid square steelbar with 800 length above ground

Width of sign plate 'B'	Dimension 'C'
≤350	60
350<'B'<600	100



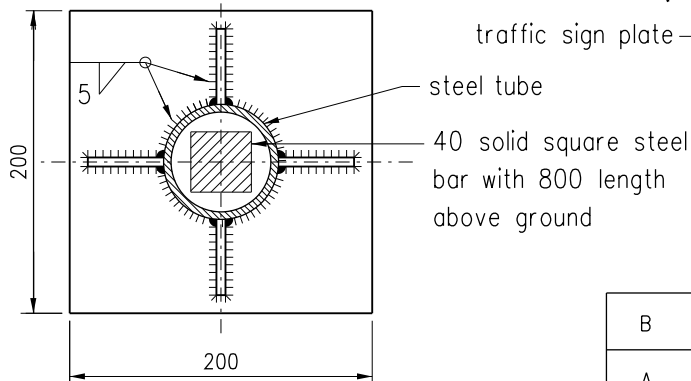
**ELEVATION OF BASE PLATE**

Scale 1:5



**DETAIL 'Z'**

Scale 1:2



**PLAN E-E**

Scale 1:5

REF.	REVISION	SIGNATURE	DATE
B	Detachable dome shape cap added and other general revisions	Original signed	Feb 19
A	40 solid square post added	-	May 18
	New Issue	-	Jan 11

**SINGLE POST MULTI-SIGN  
SUPPORT FOR TRAFFIC SIGNS  
PERPENDICULAR TO EACH OTHER  
(USING OFF-CENTERED METHOD)  
( SHEET 2 OF 2 )**

**HIGHWAYS DEPARTMENT**

REFERENCE

DRAWING No.

CAD

SCALE

NOT TO SCALE

**H 2270B**