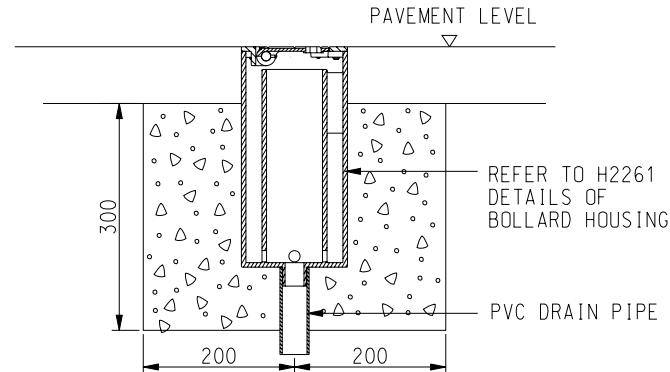
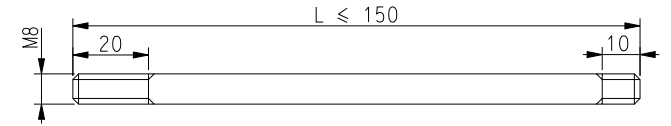


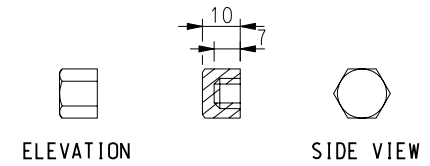
DETAIL '1'



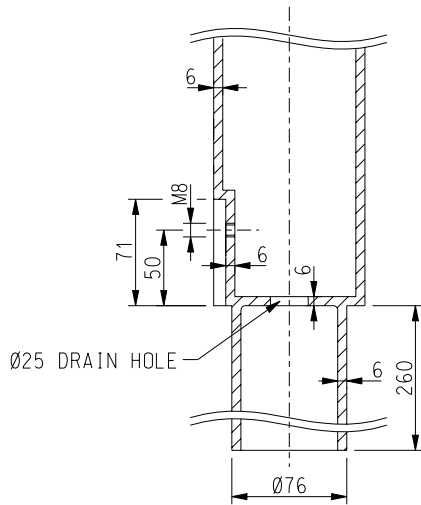
DETAIL '2'  
N. T. S.



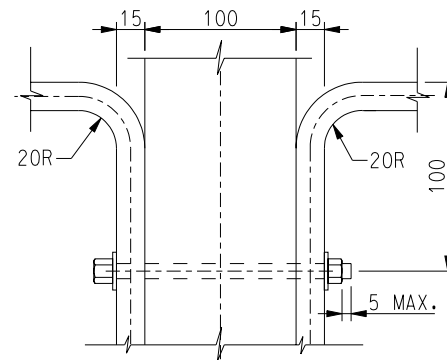
ELEVATION  
DETAIL '3'  
SCALE 1:2



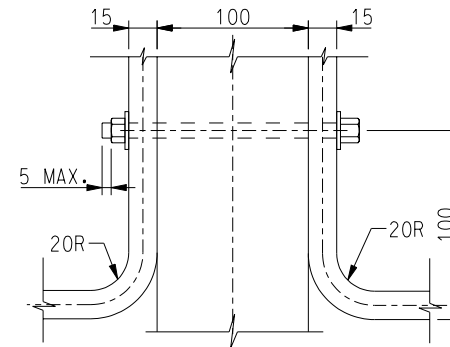
ELEVATION  
SIDE VIEW  
DETAIL '4'  
SCALE 1:2



DETAIL '5'



DETAIL 'X'



DETAIL 'Y'

|      |           |           |         |
|------|-----------|-----------|---------|
|      | New Issue |           | Sept 09 |
| REF. | REVISION  | SIGNATURE | DATE    |

# REMOVABLE BOLLARDS AND RAILINGS (SHEET 2 OF 4)

|                     |                      |        |  |
|---------------------|----------------------|--------|--|
| HIGHWAYS DEPARTMENT |                      |        |  |
| REFERENCE           | DRAWING No.          | CAD    |  |
| SCALE               | 1 : 5<br>or as shown | H 2260 |  |