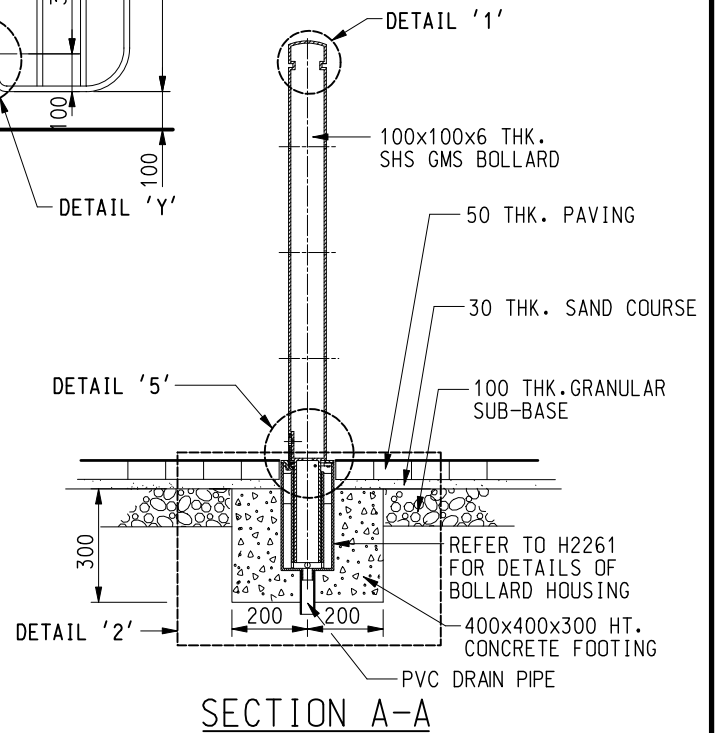
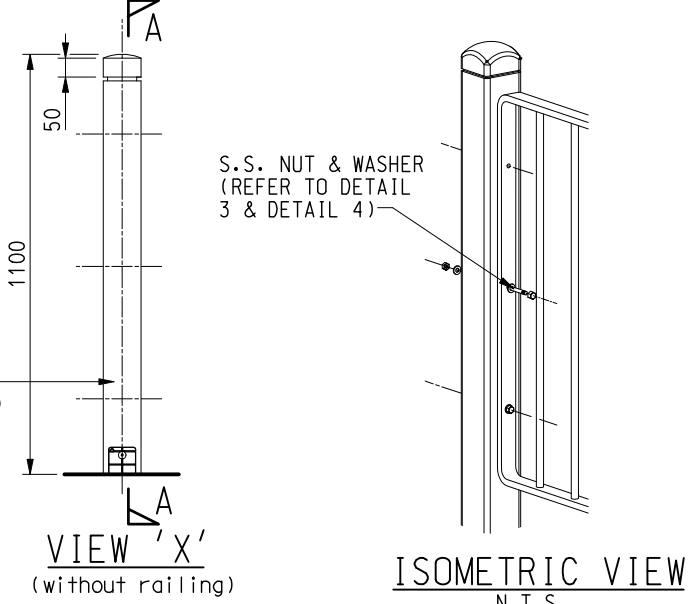


BOLLARD & RAILINGS
SCALE 1:10



	New Issue		Sept 09
REF.	REVISION	SIGNATURE	DATE

REMOVABLE BOLLARDS AND RAILINGS (SHEET 1 OF 4)

HIGHWAYS DEPARTMENT		
REFERENCE	DRAWING No.	CAD
SCALE 1 : 20 or as shown	H 2259	