

ELEVATION

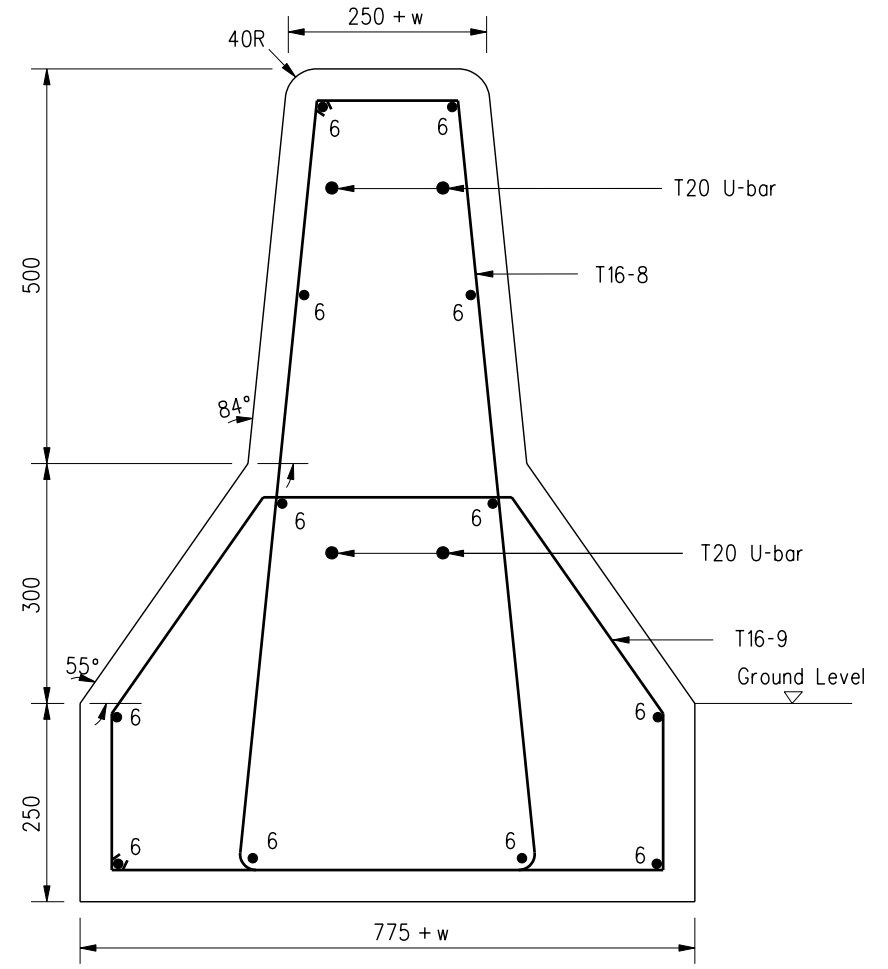
(1 : 20)

Remark:

- * (a)=150 and (b)=190 or
- (a)=190 and (b)=150
- to match the adjacent removable concrete barrier

Notes:

1. 25x25 chamfers should be provided for all exposed edges having an internal angle of 90° or less unless otherwise specified.
2. The value 'w' shall be decided by the Engineer, but shall not exceed 525.



SECTION 2-2

(1 : 10)

	New Issue		Jan 07
REF.	REVISION	SIGNATURE	DATE

HIGHWAYS DEPARTMENT

REFERENCE	DRAWING No.	CAD
SCALE as shown	H 2255	

**REMOVABLE CONCRETE BARRIER
FOR FACILITATING TRAFFIC DIVERSION -
END ANCHOR BLOCK**