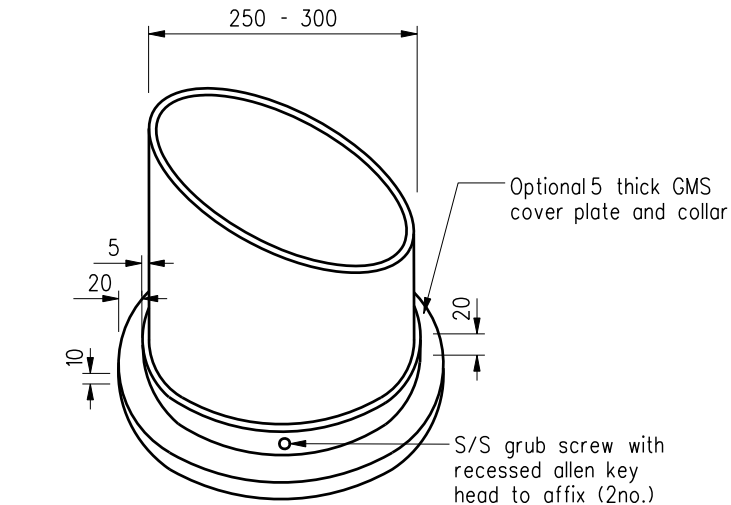


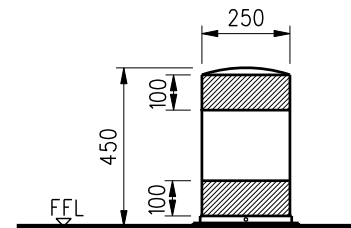
**SECTION - ELEVATION**

SCALE 1 : 10



**OPTIONAL BASE COVER PLATE - PERSPECTIVE DETAIL**

SCALE 1 : 5



**ALTERNATIVE DIMENSIONS - ELEVATION**

SCALE 1 : 15

NOTE: FOUNDATION SIZE REMAINS SAME FOR ALL OPTIONS

**Notes:**

1. All dimensions are in mm.
2. GMS bollard and cover plate to BS 4360 Grade 43.
3. Any welding slag shall be removed with a chipping hammer and the welds shall be vigorously wire brushed and protected by two coats of zinc rich paint to BS 4652.
4. All GMS metal work to be hot dip galvanised to BS EN ISO 1461 : 1999.
5. Bollard to be painted. Colour to engineer's specification. If bollard colour contrasts distinctly with surrounding paving, visibility bands may be optional.
6. Undercoat and finishing coat can be applied in-situ after erection.
7. For concrete pavement surface, the concrete footing shall extend to the ground surface.
8. Concrete infill is required.

**SHORT GMS BOLLARD**

A	Note 4 updated		Sep 07
	New Issue		Apr 05
REF.	REVISION	SIGNATURE	DATE

**HIGHWAYS DEPARTMENT**

REFERENCE	DRAWING No.	CAD
SCALE	H 2246A	
AS SHOWN		