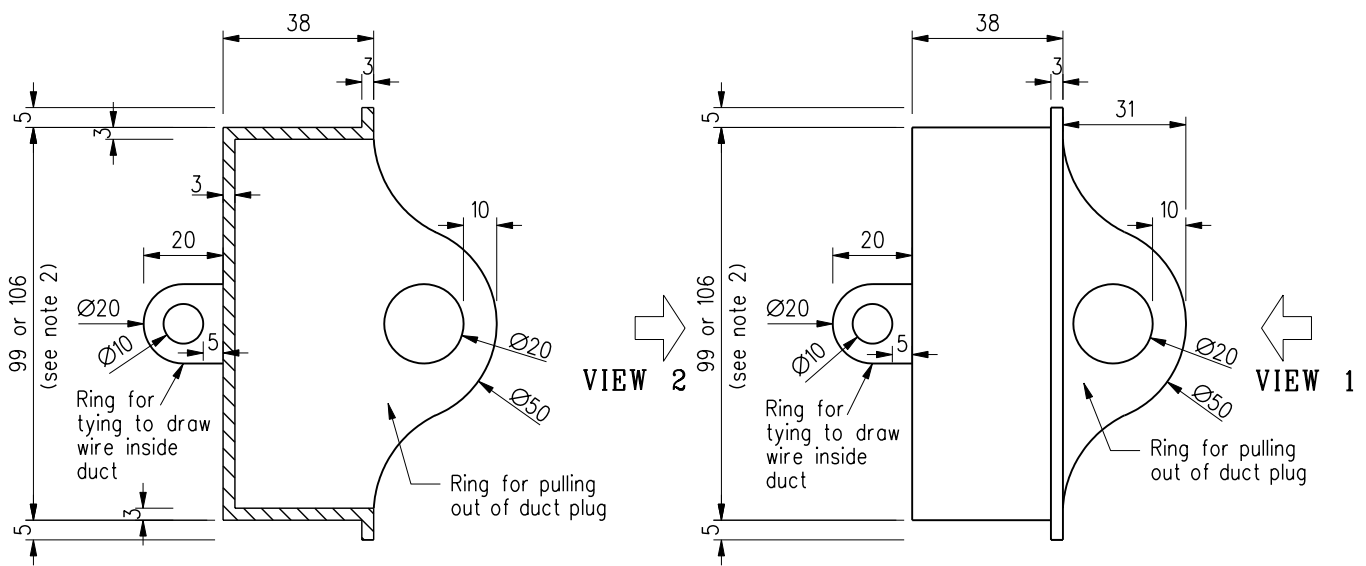


VIEW 1

VIEW 2



SECTION A-A

ELEVATION

DUCT PLUG FOR 100 DIA. DUCT

Note:

1. See HyD Standard Drawing No. H 2243 for notes.
2. The external diameters of 99mm and 106mm are for ducts of internal diameters of 100mm and 107mm respectively. For other duct diameters, the plug diameters should be varied in accordance with Note 5 of HyD Standard Drawing No. H 2243.

	New Issue		Dec 04
REF.	REVISION	SIGNATURE	DATE

**DUCT PLUG FOR
BLANK DUCT
(SHEET 2 OF 2)**

HIGHWAYS DEPARTMENT

REFERENCE

DRAWING No.

CAD

SCALE

1 : 2

H 2244