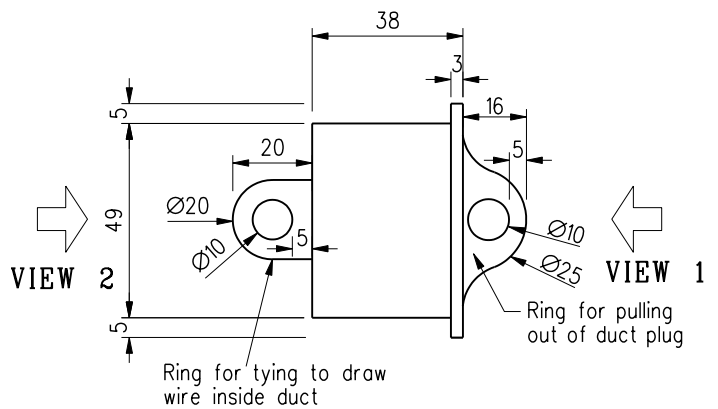
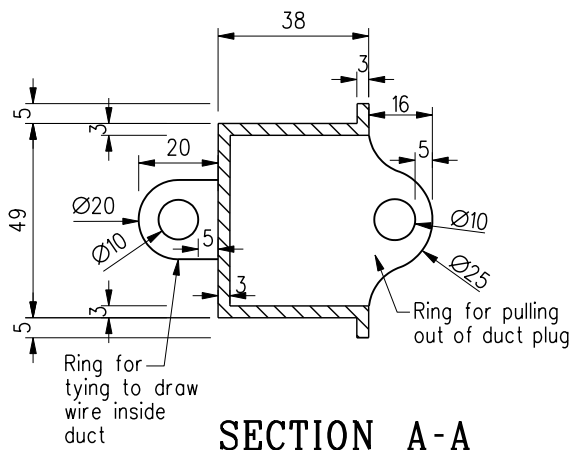
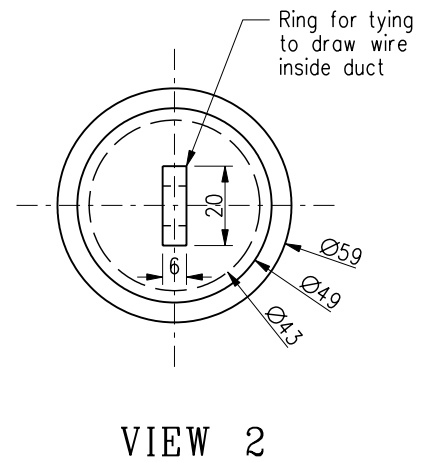
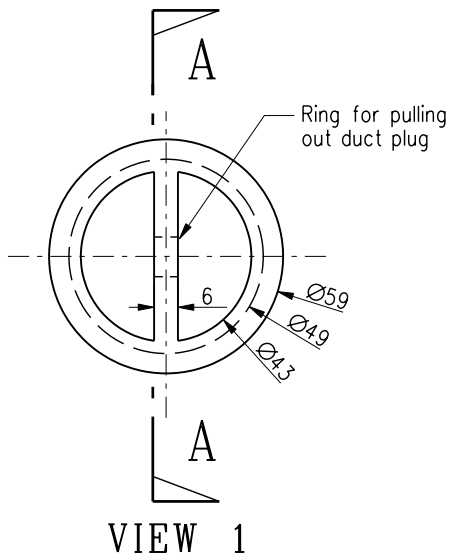


GENERAL ARRANGEMENT



SECTION A-A

ELEVATION

DUCT PLUG FOR 50 DIA. DUCT

Notes:

1. All dimensions are in millimetres.
2. The duct plug can be used for ATC pit, emergency telephone pit and road lighting plinth to prevent gas ingress.
3. The duct plug should be made of polypropylene material moulded in a single piece.
4. The exterior of the plug should be wrapped with sealing materials (Denso sealing tape or equivalent) so that the plug should be tightly fixed to the duct and there is no gap in between.
5. The external diameters of plugs shown are designed to suit the standard internal diameters of ducts. If the internal diameter of the duct differs from the standard, the external diameter of the plug to be used should be adjusted such that it is 1mm smaller than the actual internal diameter of the duct.

	New Issue		Dec 04
REF.	REVISION	SIGNATURE	DATE

**DUCT PLUG FOR
BLANK DUCT
(SHEET 1 OF 2)**

HIGHWAYS DEPARTMENT

REFERENCE

DRAWING No.

CAD

SCALE

1 : 2

H 2243