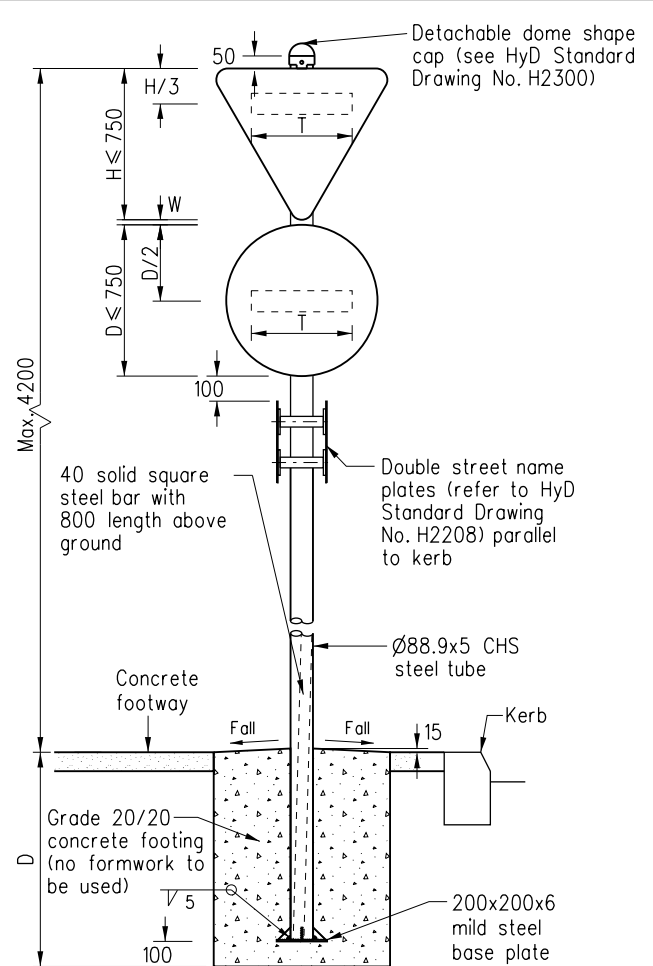


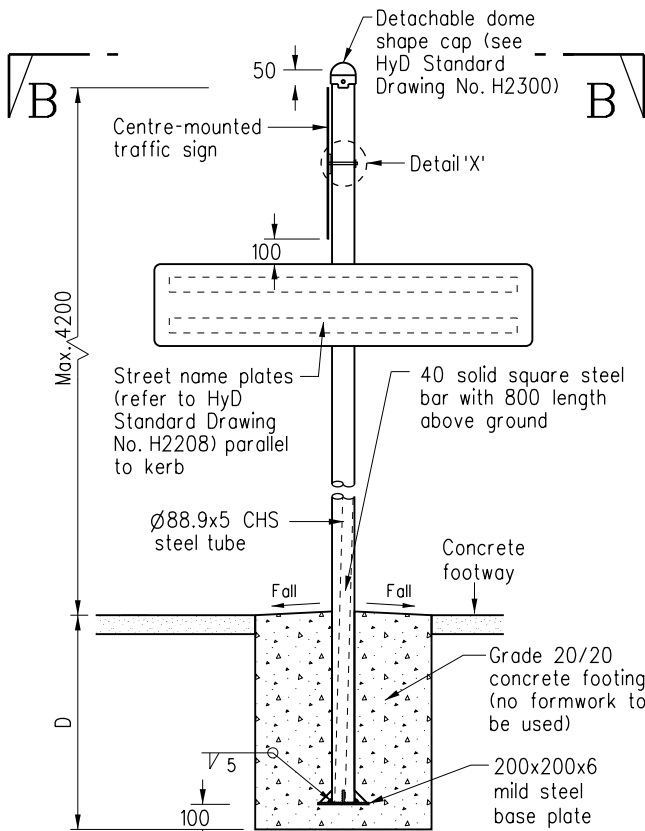
FRONT ELEVATION

(with one traffic sign perpendicular to kerb)

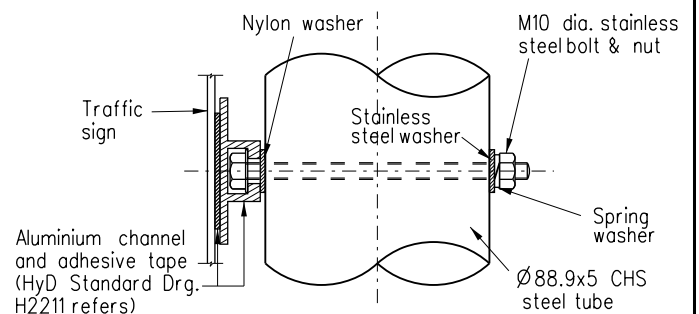


FRONT ELEVATION

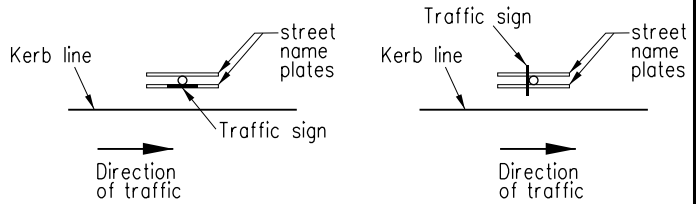
(with two traffic signs perpendicular to kerb)



VIEW X



DETAIL 'X'



SECTION A-A

SECTION B-B

C	Detachable dome shape cap added and other general revisions	Original signed	Feb 19
B	40 solid square post added	-	May 18
A	General revision	-	Oct 17
	New Issue	-	Nov 04
REF.	REVISION	SIGNATURE	DATE

**SINGLE POST MULTI-SIGN SUPPORT
FOR STREET NAME PLATES AND
CENTRE-MOUNTED TRAFFIC SIGNS
(SHEET 2 OF 2)**

HIGHWAYS DEPARTMENT

REFERENCE	DRAWING No.	CAD
SCALE	H 2229C	
NOT TO SCALE		