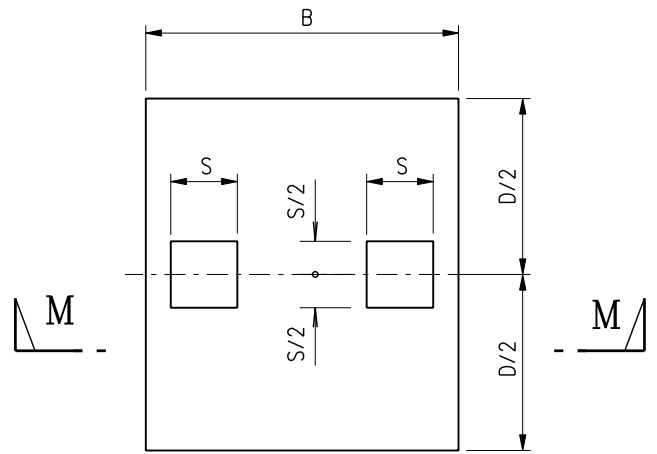
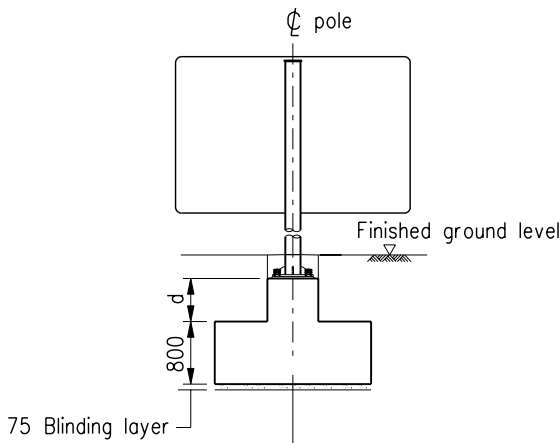


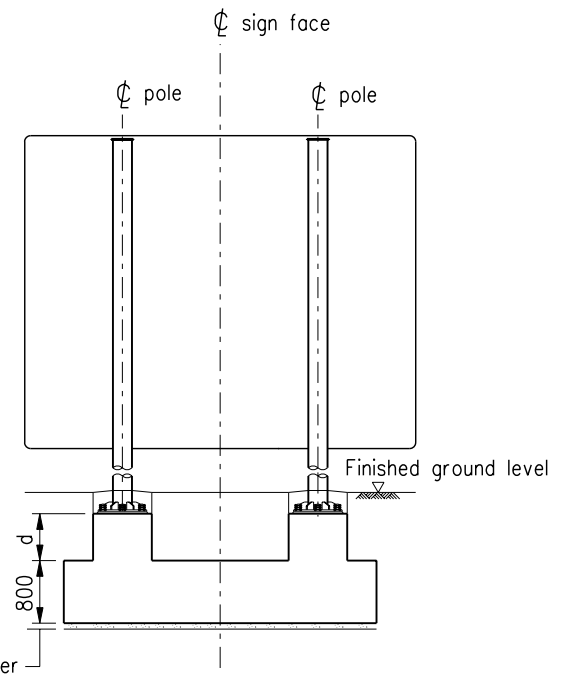
PLAN OF FOOTING  
(TYPES I, IA, II, IIA, III AND IIIA)  
Scale 1:100



PLAN OF FOOTING  
(TYPES IV AND V)  
Scale 1:100



SECTION L-L  
Scale 1:100



SECTION M-M  
Scale 1:100

TABLE 4 - FOOTING DIMENSIONS

Sign type	B	D	S	d
I, IA	1200	1800	600	500
II, IIA	1350	2100	600	500
III, IIIA	1500	3000	650	550
IV	4000	3000	700	600
V	4000	3500	850	600

- Notes : 1. Dimensions shown in table 4 are derived based on an allowable bearing pressure > 100kPa.  
2. All dimensions and reinforcement details of footing should be re-designed based on loading shown in table 3 on sheet 7 of 14 if layout of directional sign is revised to suit site conditions.  
3. Concrete of footing to be grade 30/20.

	New issue		Aug 03
REF.	REVISION	SIGNATURE	DATE

ROADSIDE DIRECTIONAL SIGNS  
( SHEET 8 OF 14 )

HIGHWAYS DEPARTMENT

REFERENCE	DRAWING No.	CAD
SCALE	H 2219	
As shown		