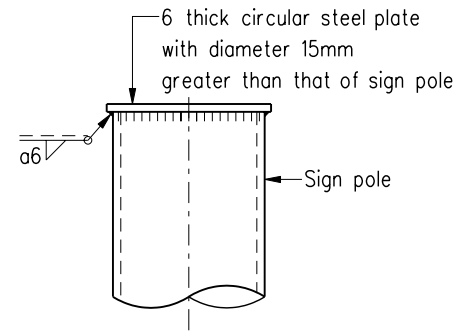


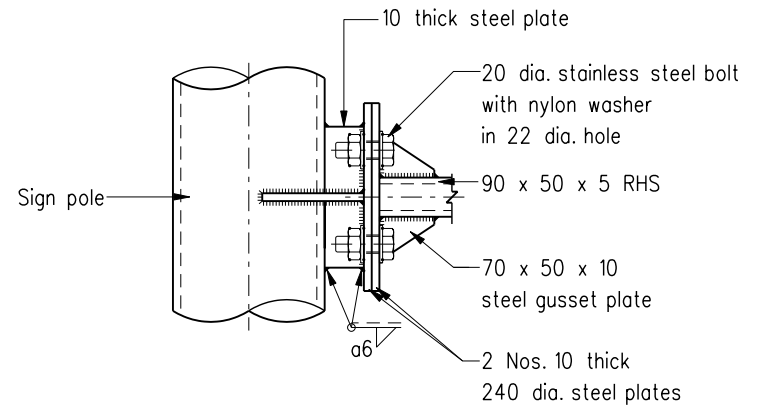
REAR ELEVATION OF UNBALANCED SINGLE POLE
FOR TYPES IA, IIA AND IIIA

Scale 1:50



DETAIL 5

Scale 1:10



DETAIL 6

Scale 1:10

ROADSIDE DIRECTIONAL SIGNS
(SHEET 4 OF 14)

	New issue		Aug 03
REF.	REVISION	SIGNATURE	DATE
HIGHWAYS DEPARTMENT			
REFERENCE	DRAWING No.		CAD
SCALE	As shown		H 2215