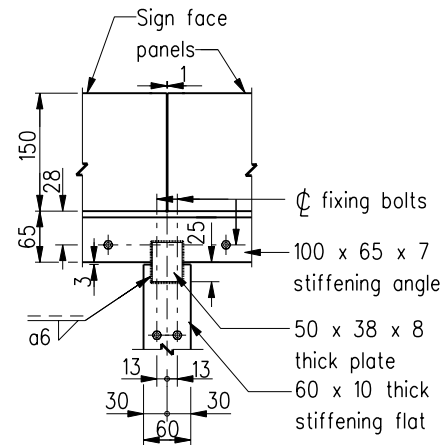


TYPICAL REAR ELEVATION OF SIGN FACE

(Sign poles and fixing not shown for clarity)

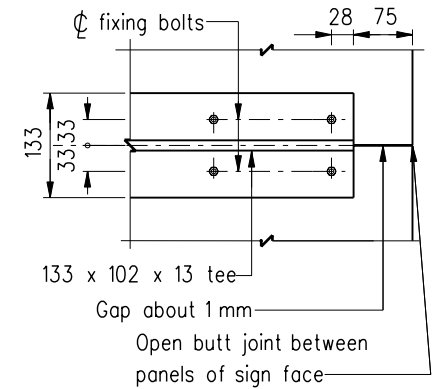
Scale 1:50

Note : The maximum size of the sign face panel is designed to be 1220mm in length and 2400mm in height. When the sign height is less than or equal to 2400mm, no horizontal butt joint is required. When the sign height is greater than 2400mm, a horizontal butt joint between two equal height sign panels is required.



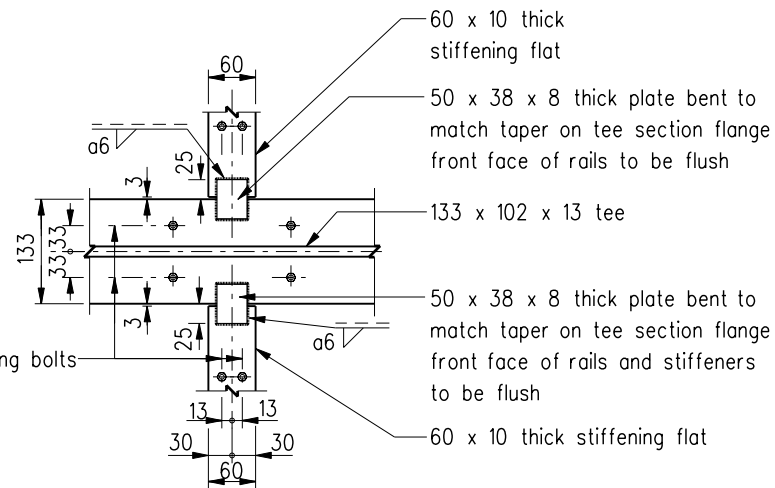
DETAIL 1

Scale 1:10



DETAIL 3

Scale 1:10



DETAIL 2

Scale 1:10

	New issue		Aug 03
REF.	REVISION	SIGNATURE	DATE

HIGHWAYS DEPARTMENT

REFERENCE

DRAWING No.

CAD

SCALE

As shown

H 2213

ROADSIDE DIRECTIONAL SIGNS

(SHEET 2 OF 14)