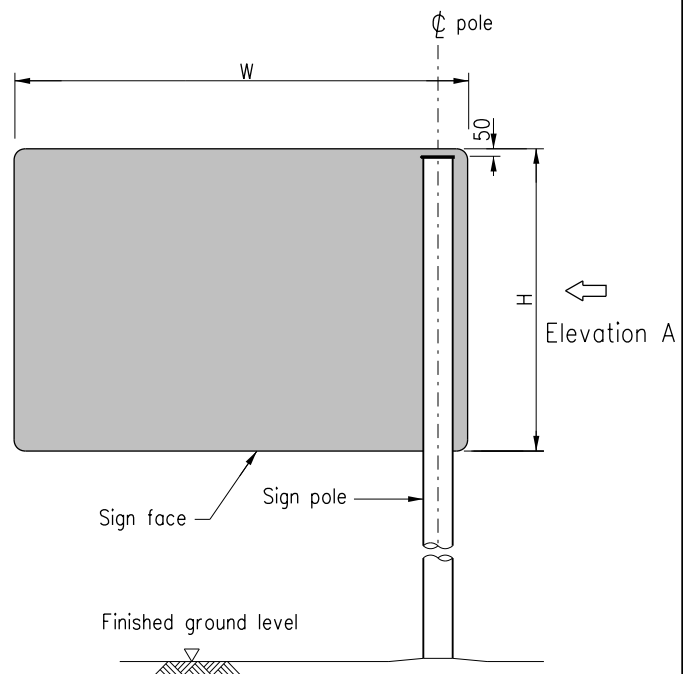


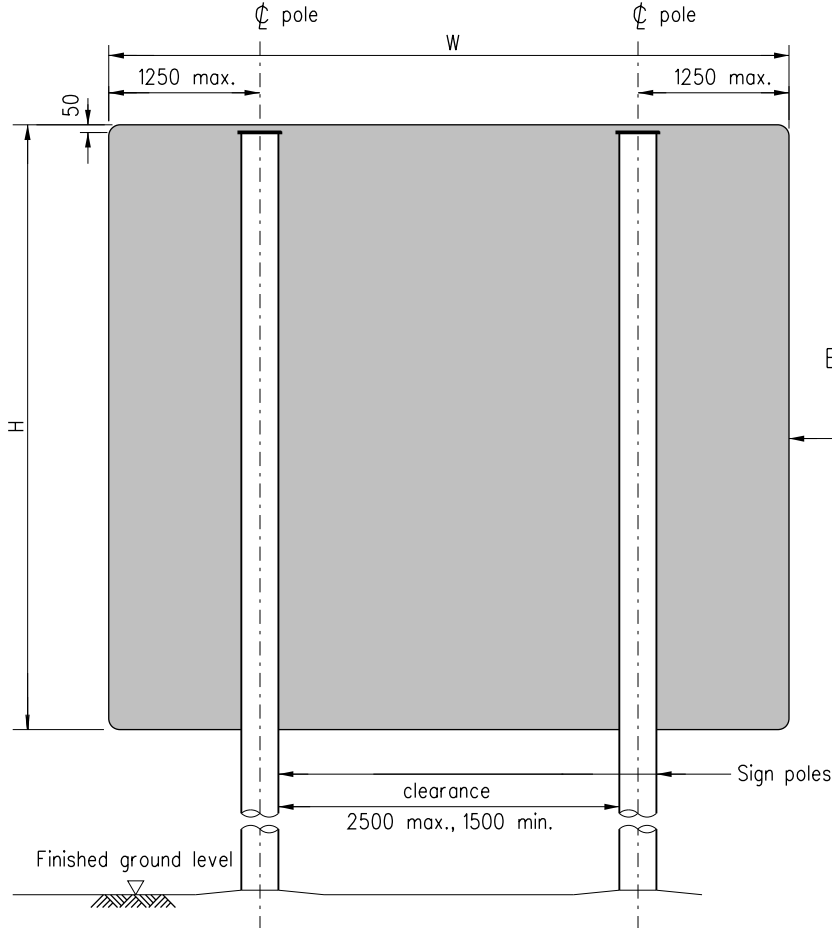
**DIRECTIONAL SIGN  
TYPES I, II AND III**

(Balanced single pole)

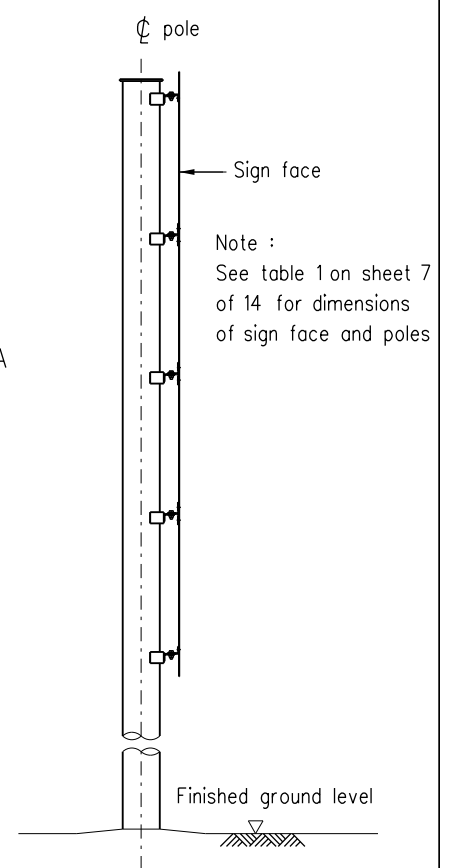


**DIRECTIONAL SIGN  
TYPES IA, IIA AND IIIA**

(Unbalanced single pole)



**DIRECTIONAL SIGN TYPES IV AND V**  
(Double pole)



**ELEVATION A**

Note :  
See table 1 on sheet 7  
of 14 for dimensions  
of sign face and poles

A	General revision	Original signed	Oct 17
	New issue	-	Aug 03
REF.	REVISION	SIGNATURE	DATE

**ROADSIDE DIRECTIONAL SIGNS**  
( SHEET 1 OF 14 )

**HIGHWAYS DEPARTMENT**

REFERENCE

DRAWING No.

CAD

SCALE

1 : 50

**H 2212A**