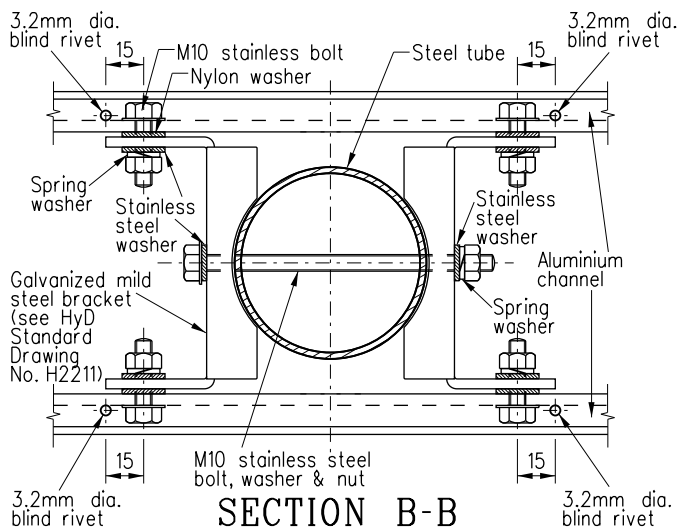


TYPICAL ELEVATION

Notes:

- All dimensions are in millimetres.
- Stainless steel shall be Grade 1.4401 to BS EN 10088-1.
- Spring washer shall be to BS ISO 464:1995.
- All steelwork shall be Grade S275 to BS EN 10025-2, except CHS steel tube shall be Grade S275J2H to BS EN 10210-1. All steelwork shall be hot dip galvanized to BS EN ISO 1461:1999.
- Welds shall be sound and continuous without locked in slag.
- Welding slags shall be removed immediately after welding.
- Where the concrete footing is located in block-paved footpath, the footing shall be lowered to allow for the paving blocks and the sand course.
- All steelwork (except stainless steel) shall be painted to Point System 1 as per Section 18.4 of Highways Department's Structures Design Manual for Highways and Railways. The finishing colour shall be grey to BS5252F Code 18B19 or as directed by the Engineer.
- Refer to Highways Standard Drawing No. H2211 for details of aluminium channel and galvanised mild steel brackets.
- Length of aluminium channel required shall be 800mm for $L \leq 1400$ mm, and 1400mm for $L > 1400$ mm.
- The position of two M10 stainless steel bolt heads inserted into each aluminium channel shall be adjusted along the channel to ensure symmetrical position of the street name plate on the supporting post before tightening.
- Nominal length of M10 stainless steel bolt shall be 35mm at aluminium channel, and 130mm at post.
- Two numbers of blind rivets shall be fixed onto the top flange of the uppermost aluminium channel on the outward side of the 2 bolt heads.



- Proper temporary support to the sign post shall be provided during the construction stage of the footing or when the pavement or soil around the footing is excavated away.
- The 40 solid square steel bar shall be placed freely on the mild steel base plate inside the steel tube.

REF.	REVISION	SIGNATURE	DATE
E	Detachable dome shape cap added and other general revisions	Original signed	Feb 19
D	40 solid square post added	-	May 18
C	Note 5 updated.	-	Sep 07
B	To provide more options of footing sizes.	-	Jan 06
A	Fixing details revised.	-	Oct 04
	New Issue	-	Mar 04

DOUBLE STREET NAME PLATES WITH BUILDING NUMBERS CENTRE-MOUNTED ON NEW SUPPORT			HIGHWAYS DEPARTMENT		
REFERENCE		DRAWING No.		CAD	
SCALE		NOT TO SCALE		H 2208E	