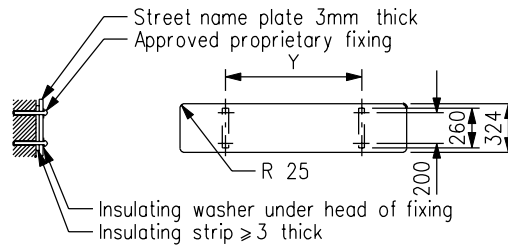
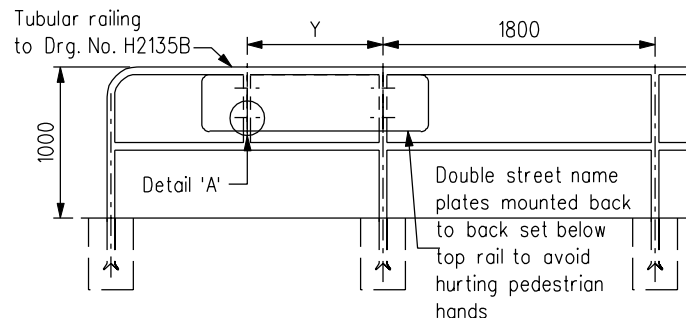


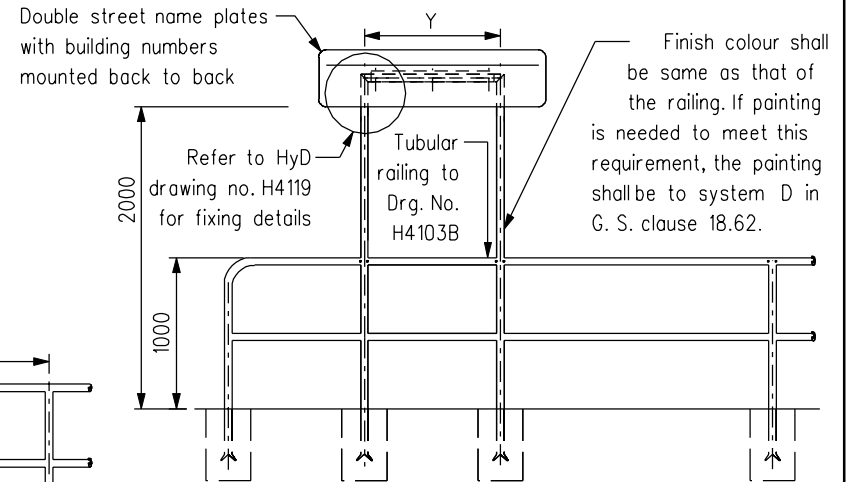
SELF MOUNTING



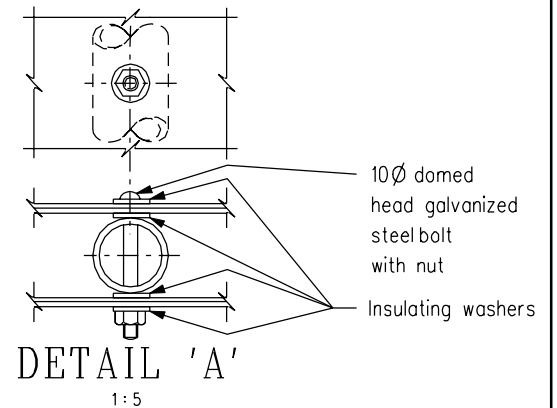
WALL MOUNTING



MOUNTING ON TUBULAR RAILING



SELF-MOUNTING COMBINED WITH TUBULAR RAILING



- Notes :
1. All dimensions are in millimetres.
 2. Dimensions are typical and should be varied as necessary for particular conditions.
 3. Aluminium and steel in the presence of water can form galvanic cells resulting in rapid corrosion. Insulating strips and washers shall be provided as shown on the drawings to prevent this. Any suitable non-metallic material may be used for insulating strips and washers.
 4. Bolt shall be M10 dome head hot-dip galvanized or sheradised steel. Other suitable bolts may be used. A suitable proprietary anchor bolt shall be used for wall mounting.
 5. Where the concrete footing is located in block paved footpath, the footing shall be lowered to allow for the paving blocks and the sand course.
 6. See H4119 and H4120 for details of fixing street name plate on old style support.
 7. Length of street name plate (L): 750mm to 2000mm, with 50mm increments (Depending on length of letters & characters).

Y	L
600	≤ 1000
900	> 1000

	New issue		Mar 04
REF.	REVISION	SIGNATURE	DATE

DOUBLE STREET NAME PLATES WITH BUILDING NUMBERS MOUNTING ON EXISTING SUPPORT

HIGHWAYS DEPARTMENT

REFERENCE	DRAWING No.	CAD
	H 2205	
SCALE	1: 50 or as shown	