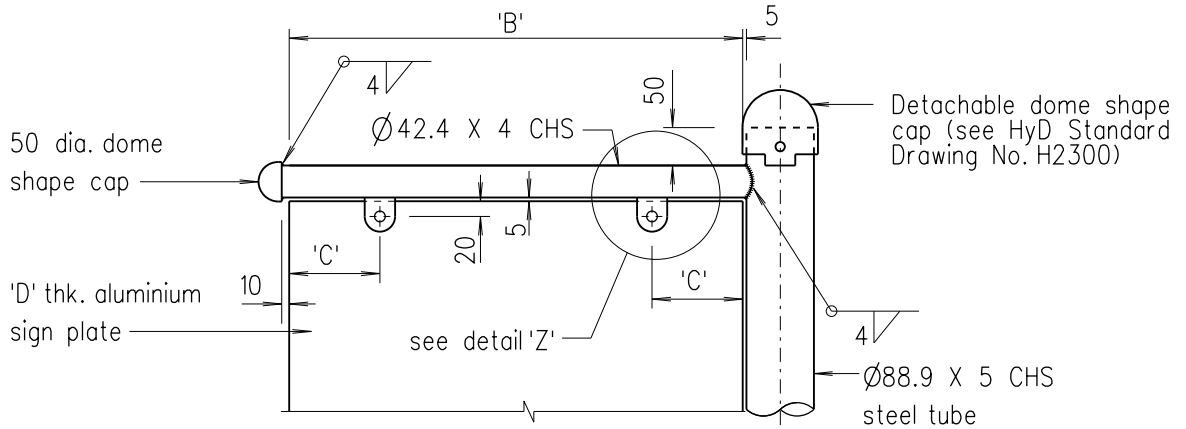


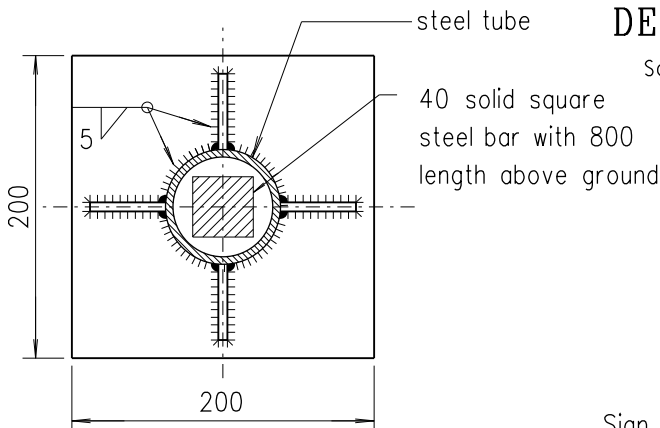
DETAIL 'X'

Scale 1:10



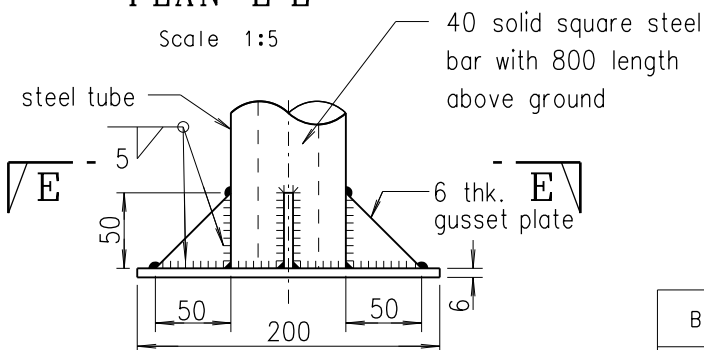
DETAIL 'Y'

Scale 1:10



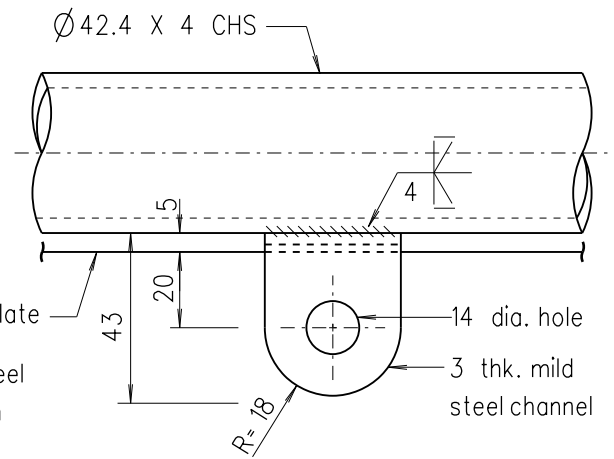
PLAN E-E

Scale 1:5



ELEVATION OF BASE PLATE

Scale 1:5



DETAIL 'Z'

Scale 1:2

B	Detachable dome shape cap added and other general revisions	Original signed	Feb 19
A	40 solid square post added	-	May 18
	New issue		Aug 02
REF.	REVISION	SIGNATURE	DATE

**SINGLE POST
TRAFFIC SIGN SUPPORT
(USING OFF-CENTERED METHOD)
(SHEET 3 OF 4)**

HIGHWAYS DEPARTMENT

REFERENCE

DRAWING No.

CAD

SCALE

As shown

H 2200B