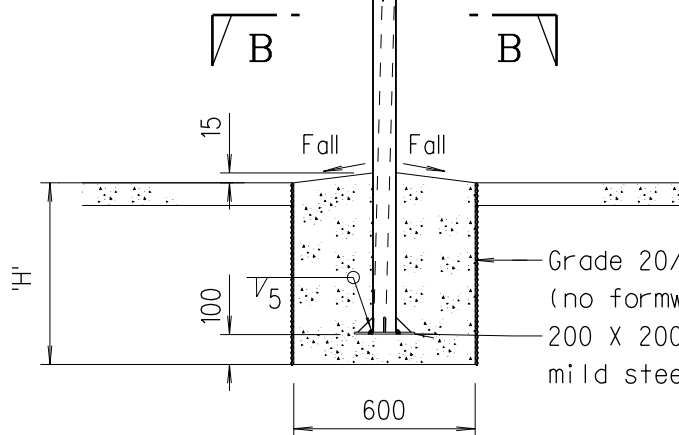
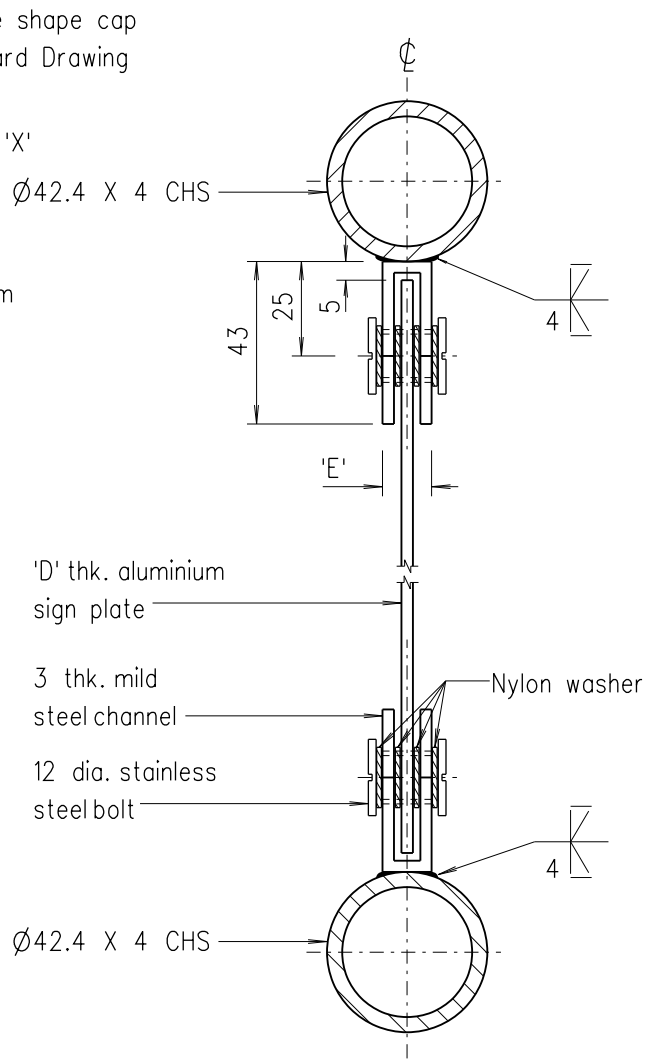


Ø76.1 X 5 CHS
steel tube

40 solid square
steel bar with 800
length above ground

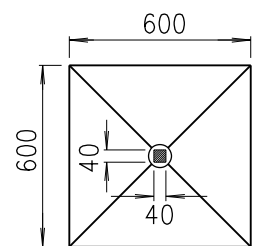


Grade 20/20 concrete footing
(no formwork to be used)
200 X 200 X 6
mild steel base plate



SECTION A-A

Scale 1:2



PLAN B-B

Scale 1:25

**FRONT ELEVATION FOR SUPPORT
OF SINGLE SIGN PLATE**

Scale 1:25

REF.	REVISION	SIGNATURE	DATE
C	Detachable dome shape cap added and other general revisions	Original signed	Feb 19
B	40 solid square post added	-	May 18
A	General revision	-	Oct 17
	New issue	-	Aug 02

**SINGLE POST
TRAFFIC SIGN SUPPORT
(USING OFF-CENTERED METHOD)
(SHEET 1 OF 4)**

HIGHWAYS DEPARTMENT

REFERENCE

DRAWING No.

CAD

SCALE

As shown

H 2198C