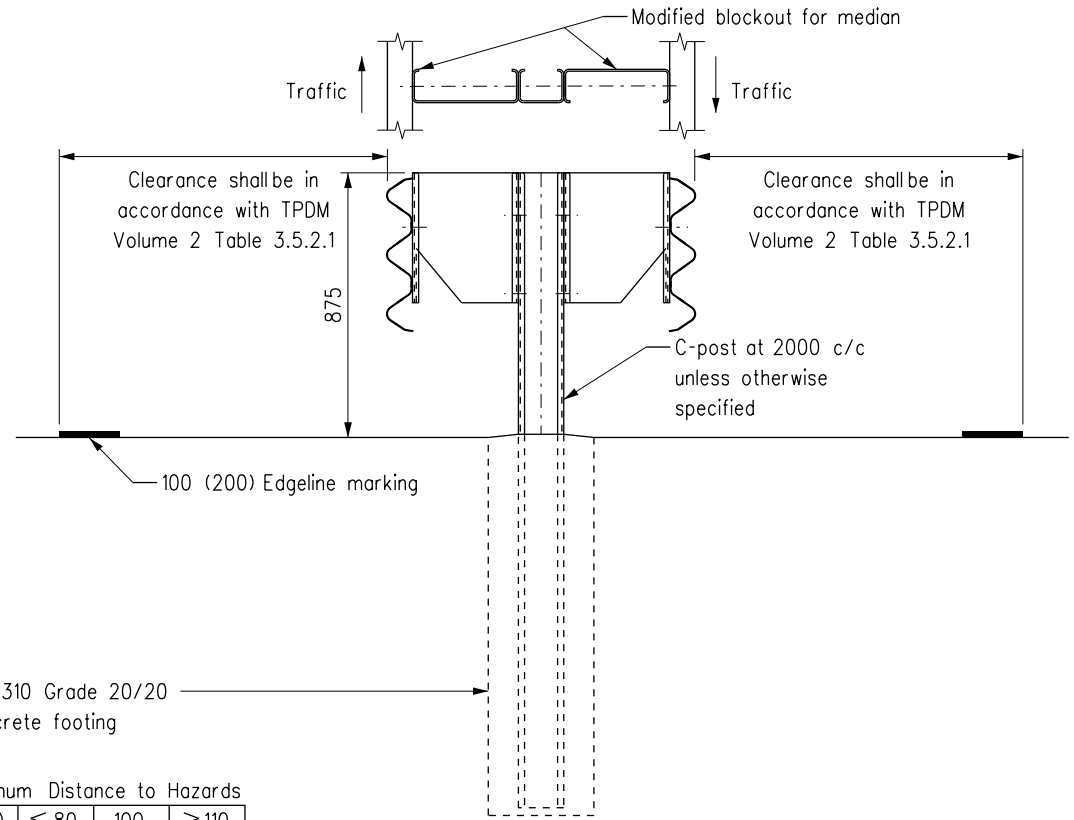


SINGLE MOUNTING



DOUBLE MOUNTING

Table 1 - Minimum Distance to Hazards

Speed (km/h)	≤ 80	100	≥ 110
X (m)	0.6	0.9	1.1

Notes:

1. See drawing H2190 for notes.
2. Both standard and modified thrie-beam shall be installed with the minimum distance to hazards as shown in Table 1.
3. I-section post and breakout for thrie-beam having equivalent functions or performance to the C-post as shown in drawings H2193 to H2195 could be used.

A	Note 2 and table 1 updated	Original signed	Jan. 15
	New issue	-	Nov. 02
REF.	REVISION	SIGNATURE	DATE

MODIFIED THRIE-BEAM BARRIER - TYPICAL MOUNTING DETAILS

HIGHWAYS DEPARTMENT

REFERENCE	DRAWING No.	CAD
SCALE	H 2191A	
1:25		