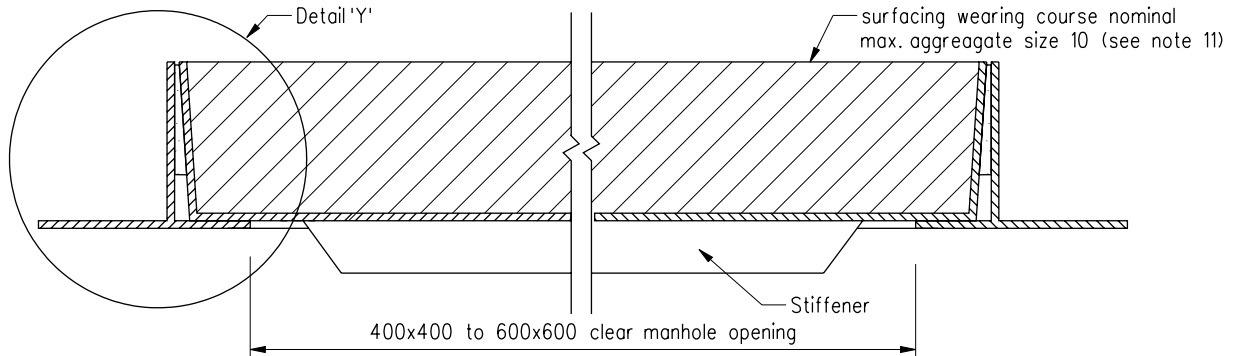


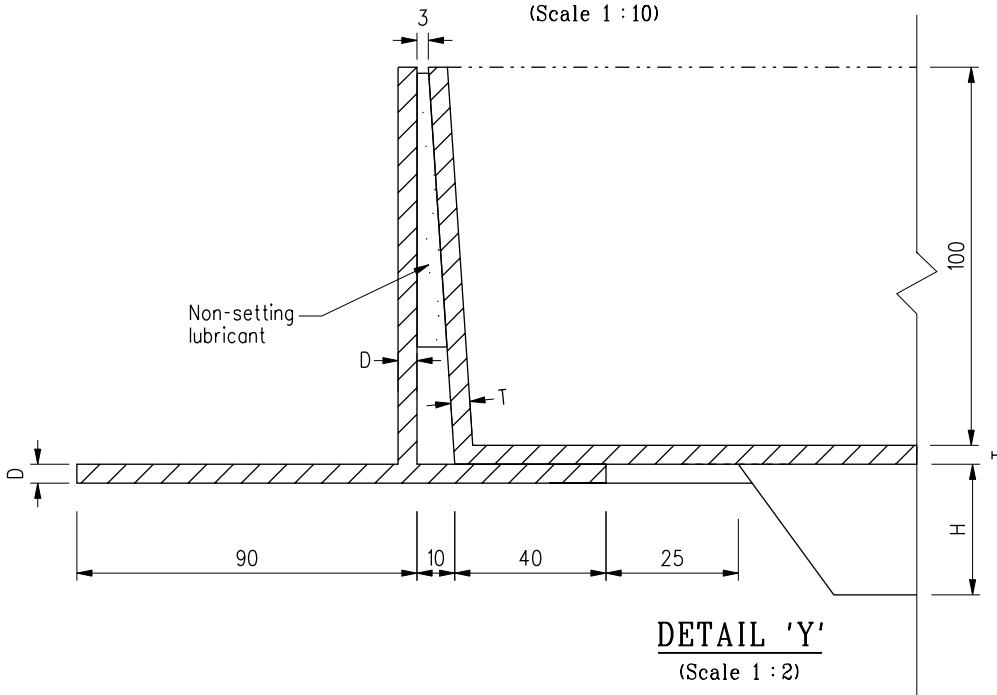
**TYPICAL SECTION OF COVER AND FRAME**

(Scale 1 : 10)



**TYPICAL SECTION OF COVER AND FRAME FOR DRAWPITS  
AT CYCLE TRACK OF BITUMINOUS PAVEMENT**

(Scale 1 : 10)



**DETAIL 'Y'**

(Scale 1 : 2)

For classes of manhole cover, see note 10.

Class	D	T	t	H
B125	5	5	5	75
A15	4	4	4	50

B	Typical section of cover and frame for drawpits at cycle track of bituminous pavement added.		Jul 10
A	Frame, cover and detail 'Y' revised.		Dec 04
	New Issue		
REF.	REVISION	SIGNATURE	DATE

**FABRICATED STEEL RECESSED COVER  
AND FRAME FOR ATC/E&M DRAWPIT  
OPENING FROM 400X400 TO 600X600  
(SHEET 2 OF 3)**

**HIGHWAYS DEPARTMENT**

REFERENCE

DRAWING No.

CAD

SCALE

AS SHOWN

**H 2185B**