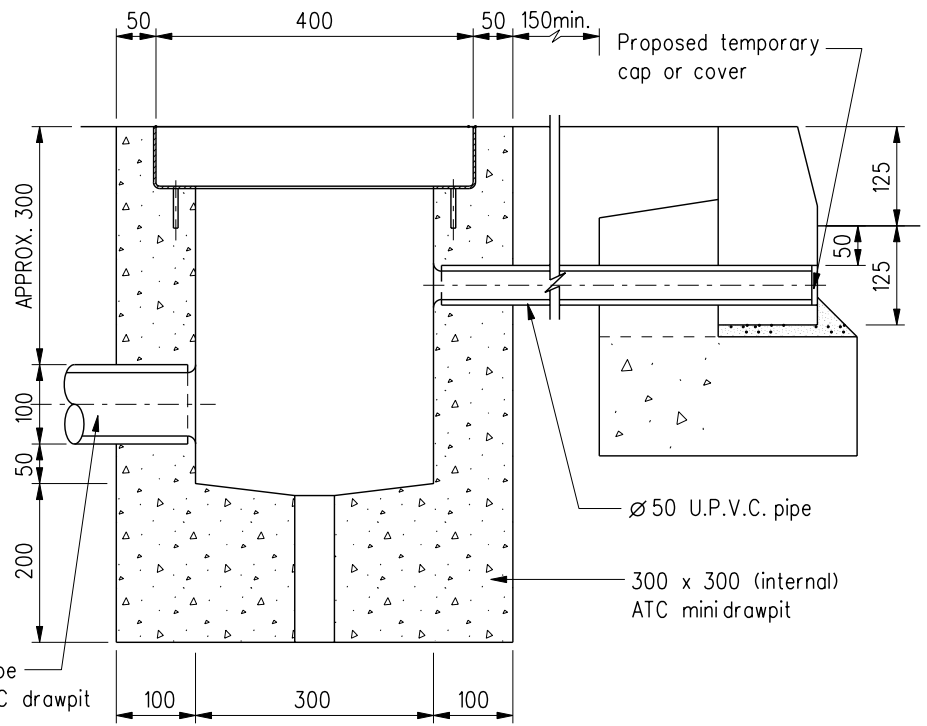
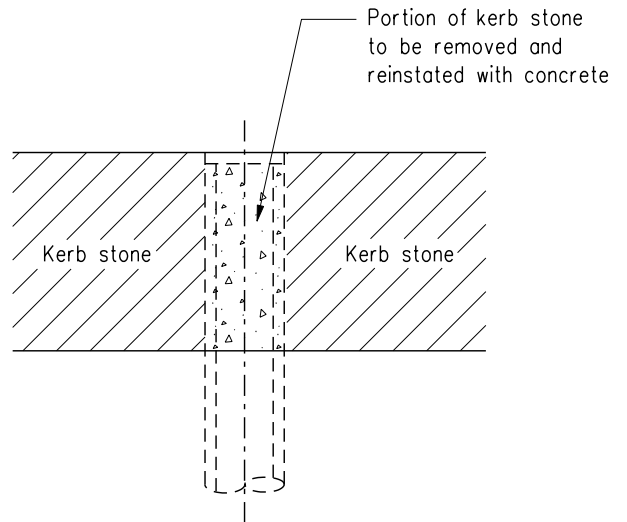
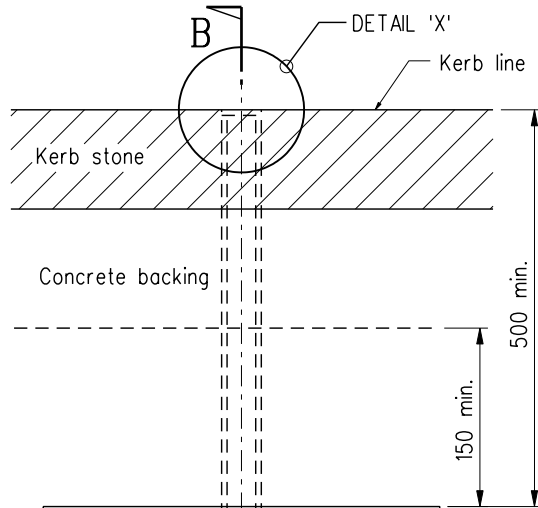


SECTION A - A



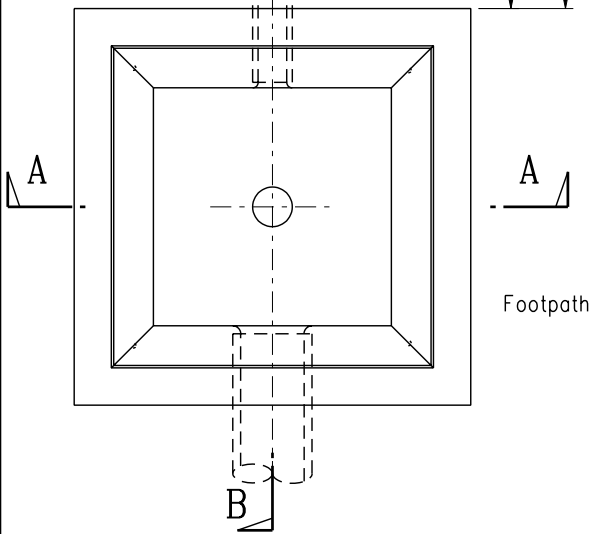
SECTION B - B

(Without cover)



DETAIL 'X'

Scale 1:5



PLAN

(Without cover)

Notes:

1. All dimensions are in millimetres.
2. Cable ducts shall be sealed by using plugs for blank ducts and sealing material for ducts containing cables as shown on Drg. Nos. H 2243 to H 2245.

A	Notes 1 and 2 added. Dia. of drain hole included.		Apr 05
	New Issue		May 99
REF.	REVISION	SIGNATURE	DATE

**DETAILS OF MINI
DRAWPIT FOR
DETECTOR LOOP**

HIGHWAYS DEPARTMENT

REFERENCE
Drg. ATC 1087A

DRAWING No.

CAD

SCALE
1:10 or
As shown

H 2182A