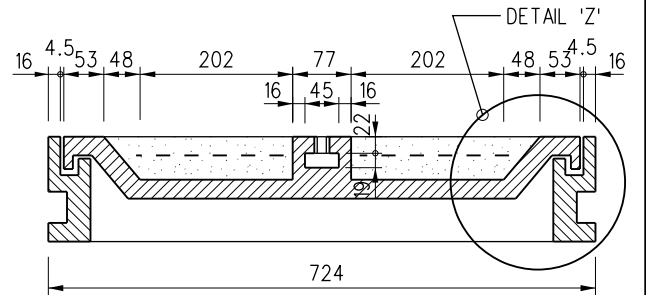
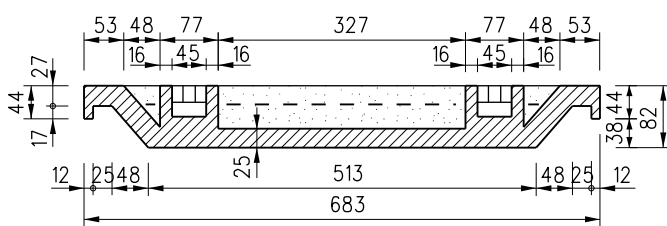


PLAN OF C.I. COVER

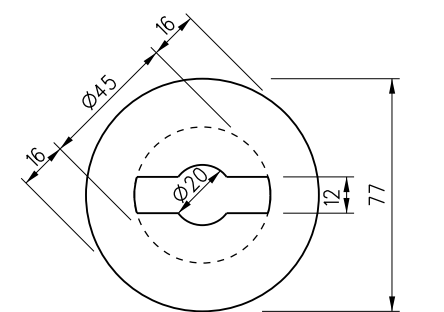
PLAN OF C.I. FRAME



SECTION K-K

SECTION L-L

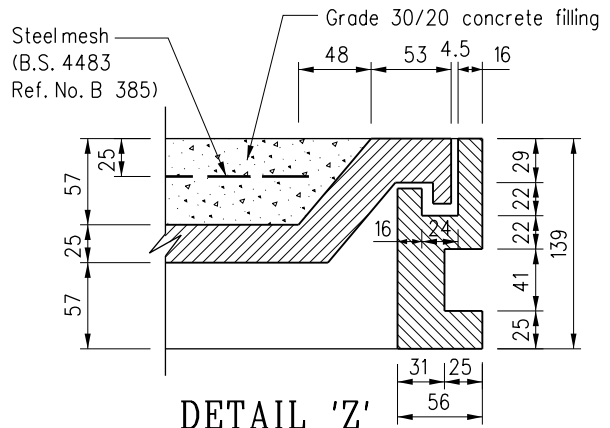
C.I. COVER WITH CONCRETE FILLING AND C.I. FRAME FOR ATC DRAW PIT



DETAILS OF KEY HOLE

(Plastic plug not shown)

Scale 1: 2.5



DETAIL 'Z'

Scale 1: 5

Notes :

1. All dimensions in millimetres.
2. See H2157 for general notes.
3. All corners are to be rounded to approx. 2mm radius.

A	Plastic plug specified	Original signed	May 16
	New Issue	-	May 99
REF.	REVISION	SIGNATURE	DATE

ATC DRAW PIT —  
LIGHT DUTY C.I. COVER  
AND FRAME

HIGHWAYS DEPARTMENT

REFERENCE  
Drg. ATC/NT/235

DRAWING No. CAD

SCALE  
1: 10 or As shown

H 2180A