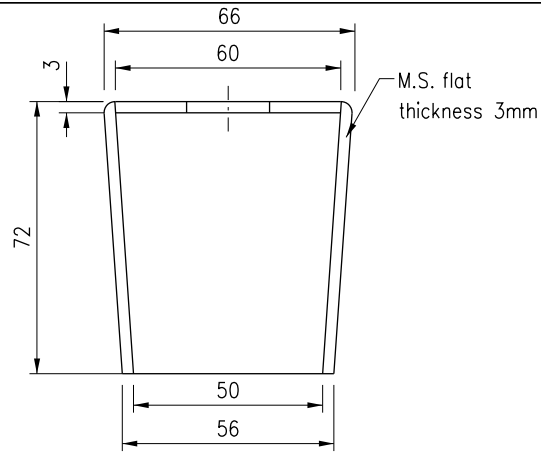


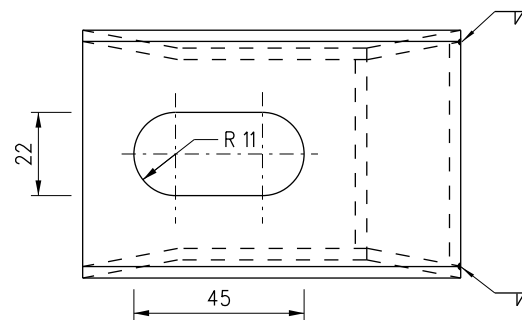
ELEVATION

Scale 1:2



SIDE VIEW

Scale 1:2

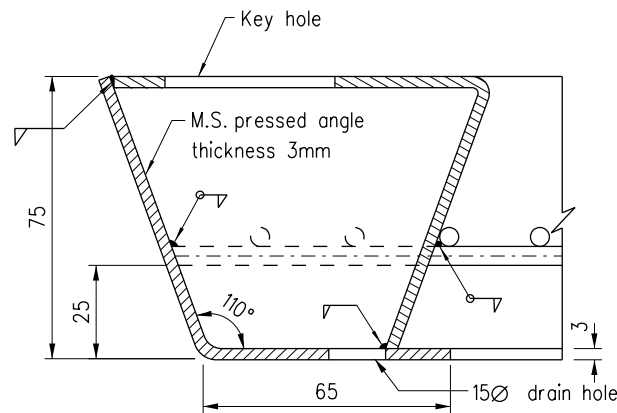


PLAN

Scale 1:2

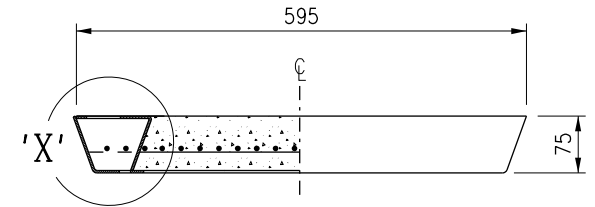
KEY HOLE DETAILS

(Plastic plug not shown)



DETAIL 'X'

Scale 1:2



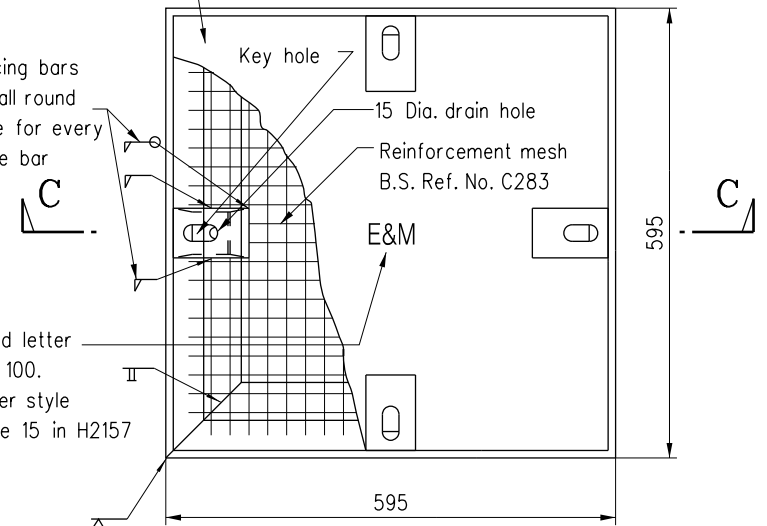
SECTION C - C

Scale 1:10

Cover to be filled with concrete on site by installer

Reinforcing bars welded all round to anlg for every alternate bar

Engraved letter height = 100. For letter style see note 15 in H2157



PLAN OF COVER

Scale 1:10

Note : See H2157 for general notes.

REF.	REVISION	SIGNATURE	DATE
B	Plastic plug specified	Original signed	May 16
A	Note & lettering description added	-	Nov 12
	Former Drg. No. H2037/2	-	June 94

ATC DRAW PIT - DETAILS OF
CABLE DRAW-IN PIT
(SHEET 2 OF 2)

HIGHWAYS DEPARTMENT

REFERENCE

HH4864

DRAWING No.

H 2169B

CAD

SCALE

As shown