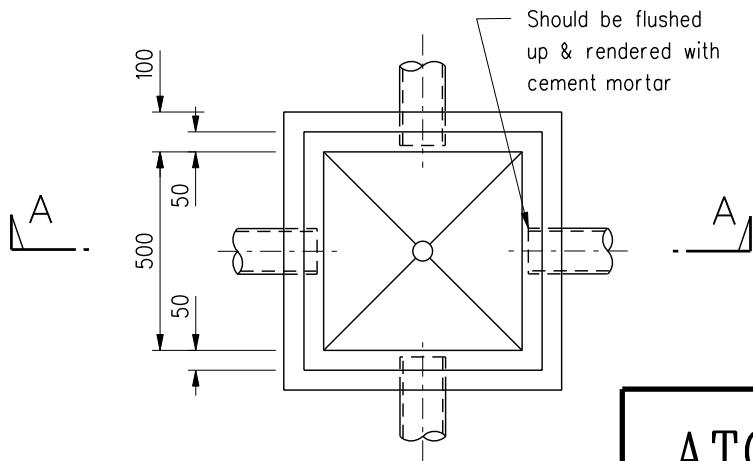


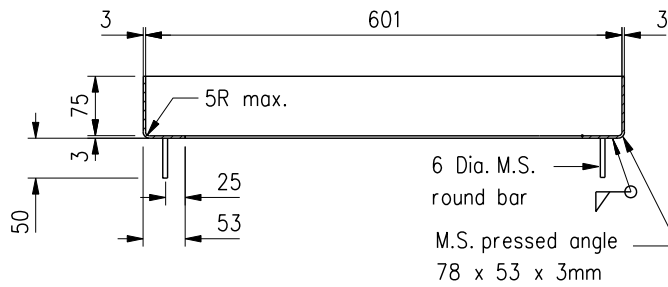
SECTION A - A

Scale 1:20



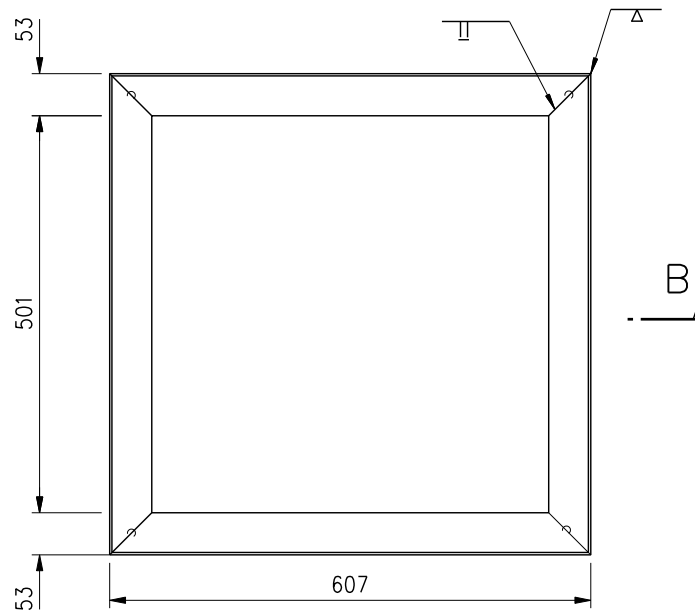
PLAN OF DRAW-IN PIT

Scale 1:20



SECTION B - B

Scale : Diagrammatic



PLAN OF FRAME

Scale 1:10

Notes :

- All dimensions are in millimetres.
- Finish:  
Draw-in pit:  
Walls – smooth finish  
Floor – rendered with cement mortar  
Frame & cover:  
Hot dip galvanized to BS EN ISO 1461:1999.
- Concrete grade:  
Draw-in pit 20/20  
Cover 30/20
- Material of frame & cover to be mild steel to B.S. 4360
- A general tolerance on all dimensions of fabrication to be  $\pm 1$  mm
- All welding spots in contact between the bearing surfaces of the frame and cover shall be finished smooth.

A	Note 2 updated		Sep 07
	Former Drg. No. H2037/1 with general revision		Jun 94
REF.	REVISION	SIGNATURE	DATE

HIGHWAYS DEPARTMENT

REFERENCE

HH4864

SCALE

As shown

DRAWING No.

H 2168A

CAD

ATC DRAW PIT – DETAILS  
OF CABLE DRAW-IN PIT  
( SHEET 1 OF 2 )