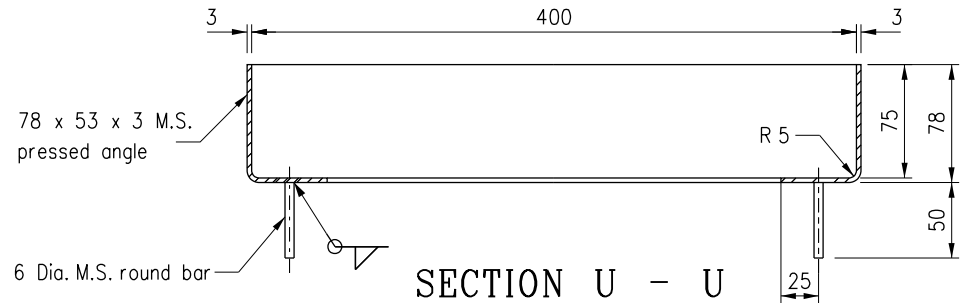
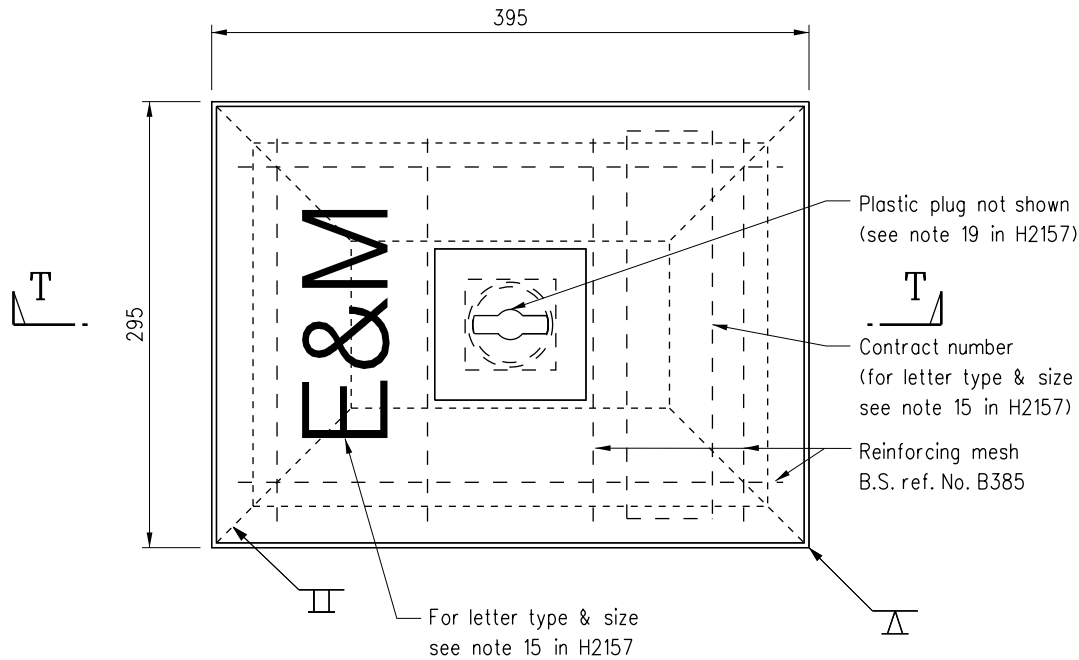
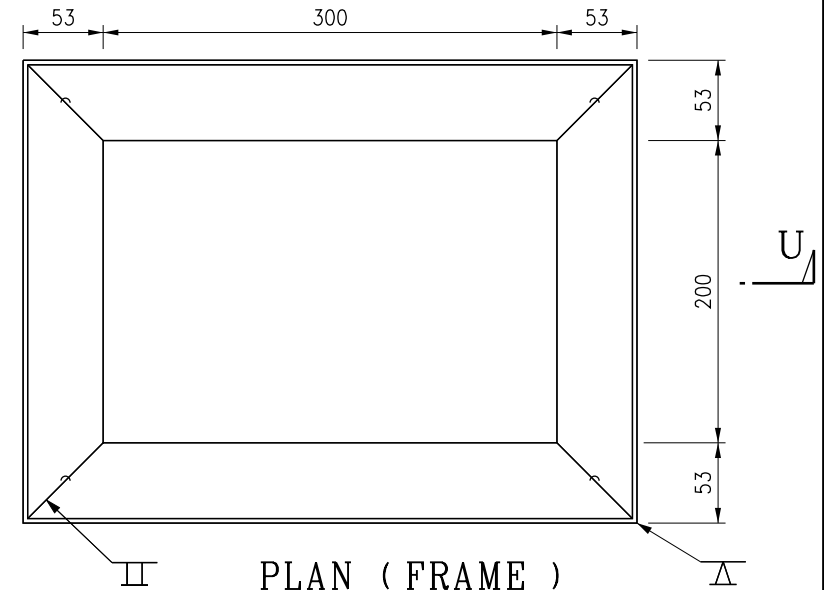


SECTION T - T



SECTION U - U



PLAN (COVER)

Note : See H2157 for general notes.

REF.	REVISION	SIGNATURE	DATE
B	Plastic plug specified	Original signed	May 16
A	Lettering description updated	-	Nov 12
	Former Drg. No. H2036/12A with general revision	-	June 94

ATC DRAW PIT - DETAILS OF COVER & FRAME FOR EARTH PIT

HIGHWAYS DEPARTMENT

REFERENCE	DRAWING No.	CAD
Drg. No. ATC/HK/61	H 2166B	
SCALE		
1 : 5		