

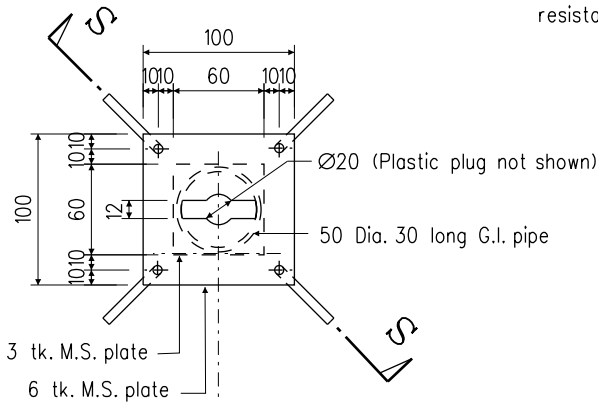
For frame & cover see H2166

50 Dia. hole

Earth rod

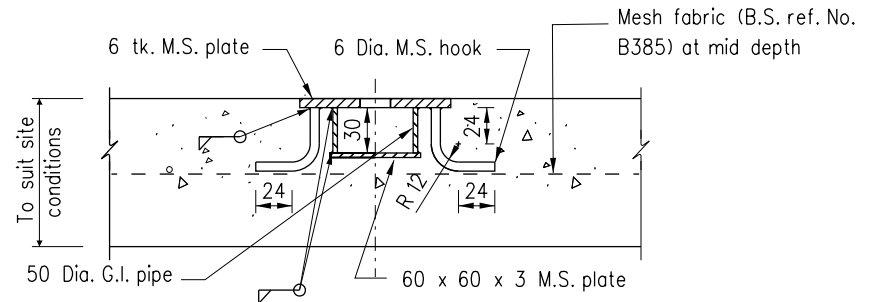
Excavate pit 1500 deep to allow Electrical and Mechanical Services Department (EMSD) to install the earth rod or earth plate. Presence of utilities buried underground shall be detected by ultrasonic/magnetic method or the equivalent approved by the Engineer. Where necessary, the pit shall be excavated to 2500 deep. Upon confirmation of the absence of utilities, contractor shall backfill to 1500 below ground for EMSD to install the earth rod or earth plate. The earth pit shall be constructed after the required earth resistance has been achieved.

SECTION R - R

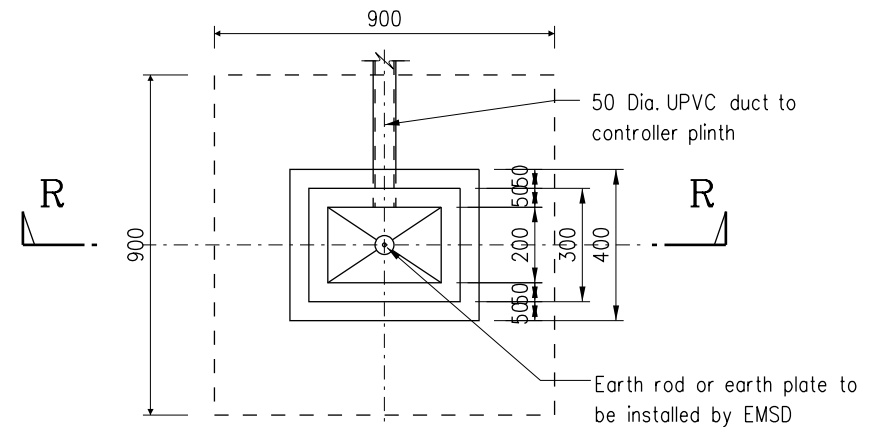


DETAIL 'X'

(For pit cover Drg. No. H2166)



SECTION S - S



PLAN

Note: See H2157 for general notes.

| | | | |
|------|---|-----------------|---------|
| B | Plastic plug specified | Original signed | May 16 |
| A | Alternative use of earth plate added | - | |
| | Former Drg. No. H2036/11A with general revision | - | June 94 |
| REF. | REVISION | SIGNATURE | DATE |

HIGHWAYS DEPARTMENT

REFERENCE
Drg.No.ATC/HK/61

DRAWING No. CAD

SCALE
Diagrammatic

H 2165B

ATC DRAW PIT - CONCRETE EARTH PIT