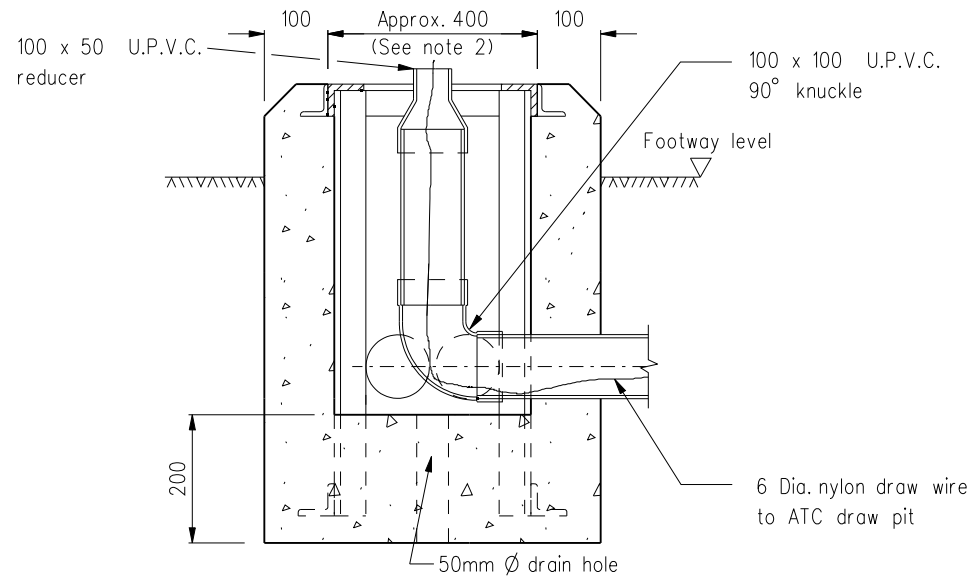
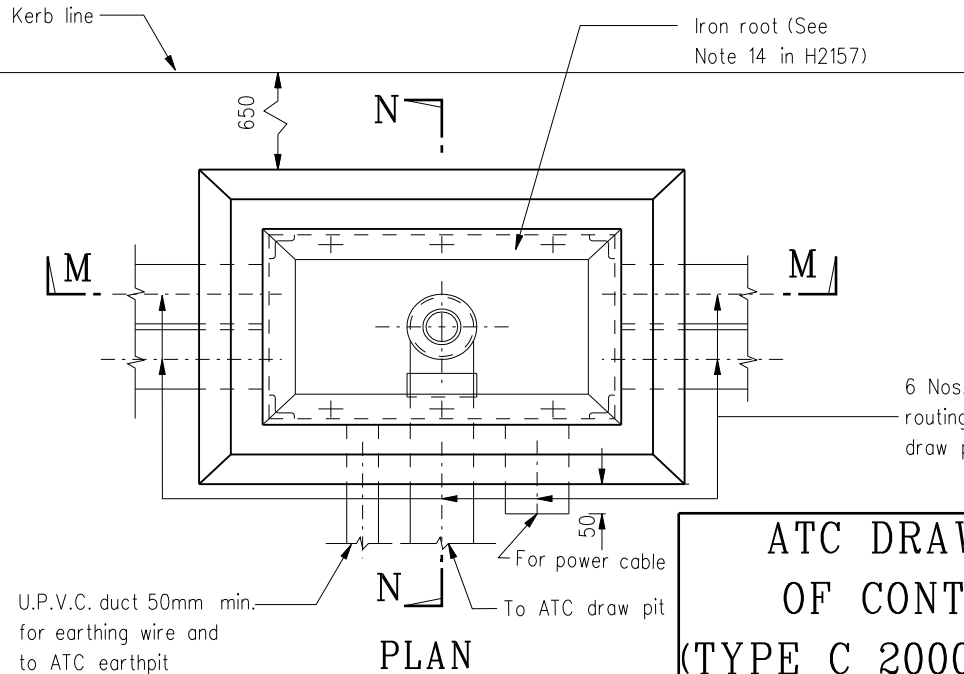


SECTION M - M



SECTION N - N



PLAN

Note :

1. See H2157 for general notes.
2. Internal dimensions of controller plinth to suit size of iron root.

B	Typo on Plan amended		Oct 13
A	General revision		Nov. 03
	Former Drg. No. H2036/9A with general revision		June 94
REF.	REVISION	SIGNATURE	DATE

**ATC DRAW PIT - DETAILS
OF CONTROLLER PLINTH
(TYPE C 2000 & C 3000 FOR USE
ON HONG KONG ISLAND ONLY)**

HIGHWAYS DEPARTMENT

REFERENCE Drg. No. ATC/HK/61D	DRAWING No. H 2163B	CAD
SCALE Diagrammatic		