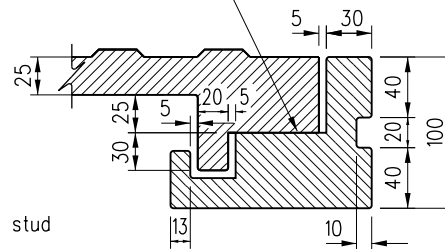


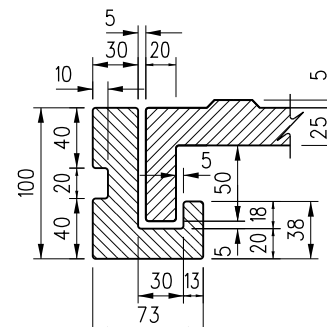
SECTION G - G

Bearing faces on cover and frame machined to same level. So that all four corners are in close contact



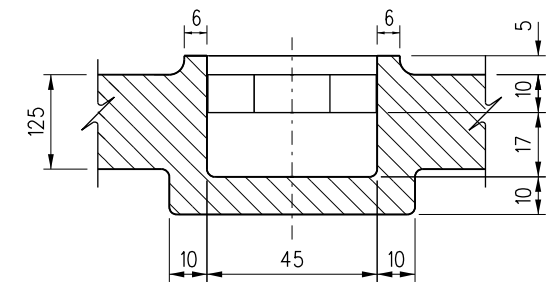
SECTION H - H

Scale 1:5



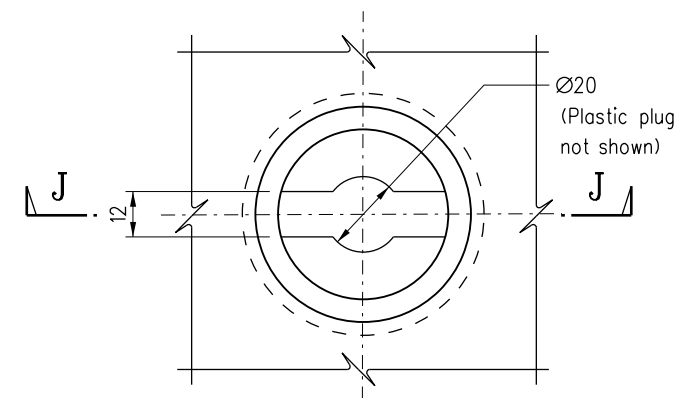
DETAIL 'Y'

Scale 1:5



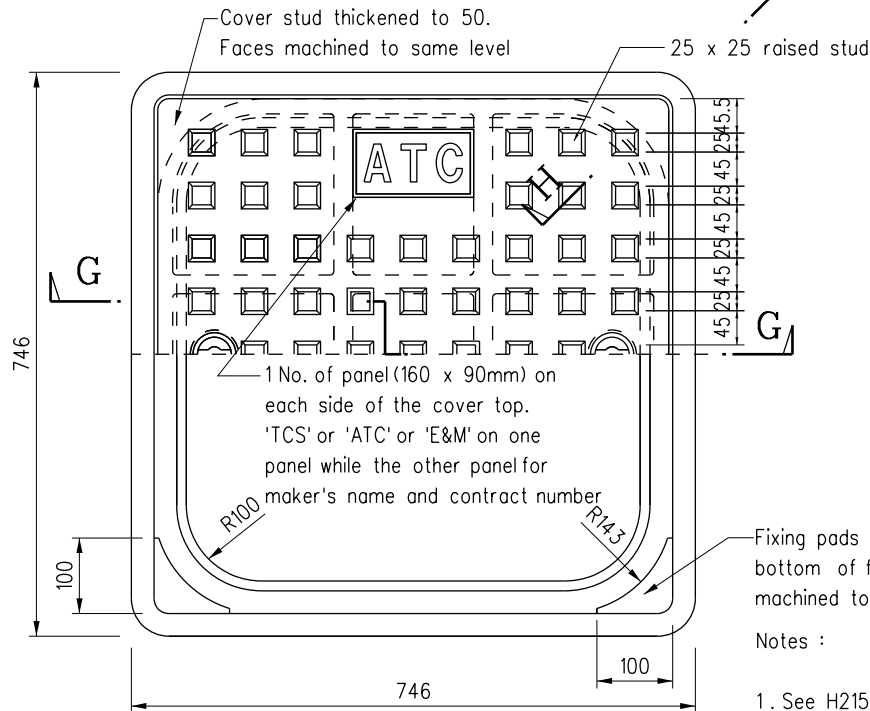
SECTION J - J

Scale 1:2



PLAN OF KEY HOLE

Scale 1:2



PLAN

Notes :

1. See H2157 for general notes.
2. All corners are to be rounded to approx. 2mm radius

A	Plastic plug specified	Original signed	May 16
	Former Drg. No. H2036/7A with general revision	-	June 94
REF.	REVISION	SIGNATURE	DATE

ATC DRAW PIT - HEAVY DUTY C.I. COVER & FRAME

HIGHWAYS DEPARTMENT

REFERENCE
ATC/HK/60

DRAWING No.

CAD

SCALE
1:10 or
as shown

H 2162A